



# Top Mount with Top Cable Entry Molded Home Run Cable

Simplifies wiring installation – integrated PUR/PVC or PUR home run cable  
 Allows for top or side entry of threaded 3P male cordsets connecting to ports  
 For use with 3-wire PNP sensors or 24V DC actuators

	4 Port SCHEMATIC, FIG 1	6 Port SCHEMATIC, FIG 2	8 Port SCHEMATIC, FIG 3	10 Port SCHEMATIC, FIG 4
FUNCTIONAL WIRING DIAGRAM				
HOME RUN CABLE COLOR CODE	blue- V- brown- V+ white- port #1 load green- port #2 load yellow- port #3 load gray- port #4 load	blue- V- brown- V+ white- port #1 load green- port #2 load yellow- port #3 load gray- port #4 load pink- port #5 load red- port #6 load	blue- V- brown- V+ white- port #1 load green- port #2 load yellow- port #3 load gray- port #4 load pink- port #5 load red- port #6 load black- port #7 load violet- port #8 load	blue- V- brown- V+ white- port #1 load green- port #2 load yellow- port #3 load gray- port #4 load pink- port #5 load red- port #6 load black- port #7 load violet- port #8 load gray/pink- port #9 load red/blue- port #10 load

MPIS, 1 SIGNAL PORT WITH MOLDED HOME RUN CABLE, TOP ENTRY								
	FIG		FIG		FIG		FIG	
PUR/PVC HOME RUN CABLE, 5M	5	BNY401P-FBM-05	6	BNY601P-FBM-05	7	BNY801P-FBM-05	8	BNYA01P-FBM-05
PUR/PVC HOME RUN CABLE, 10M	5	BNY401P-FBM-10	6	BNY601P-FBM-10	7	BNY801P-FBM-10	8	BNYA01P-FBM-10
PUR HOME RUN CABLE, 5M	5	BNY401P-FBP-05	6	BNY601P-FBP-05	7	BNY801P-FBP-05	8	BNYA01P-FBP-05

\* For end entry home run cable see page 288  
 \* Use 3P male M8 cordsets or female/male extensions pages 170-175 to connect to these MPIS ports

## CATALOG OPTIONS

Use the following chart to modify your MPIS unit's specifications

# BNY401P-FBP-05

### NO. OF PORTS

4 PORTS	4
6 PORTS	6
8 PORTS	8
10 PORTS	A

### HOME RUN CABLE MATERIAL

PUR/PVC	M
PUR	P

### CABLE LENGTH

5 METER	05
10 METER	10

# Specifications



**MECHANICAL**  
 INSERT: THERMOPLASTIC POLYESTER  
 HOUSING: PBT  
 RECEPTACLE HOUSING: NICKEL-PLATED BRASS  
 ID LABEL: ABS  
 O-RING: VITON

**HOME RUN CABLING**  
 CABLE JACKET: BLACK PUR/PVC COMPOSITE, BLACK PUR

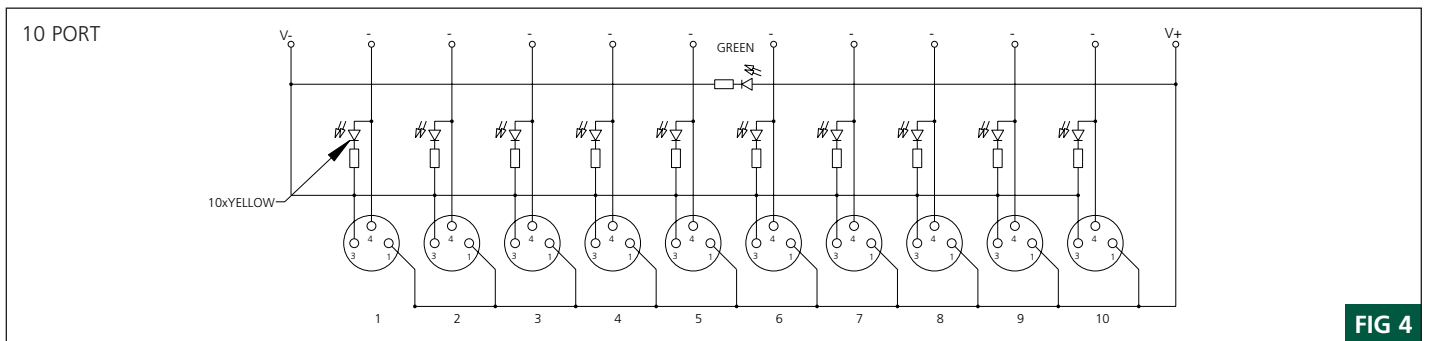
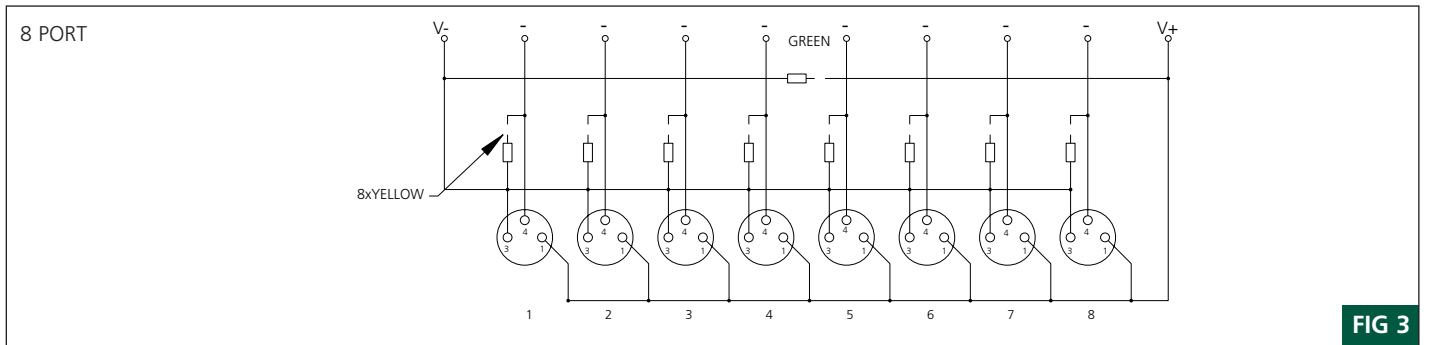
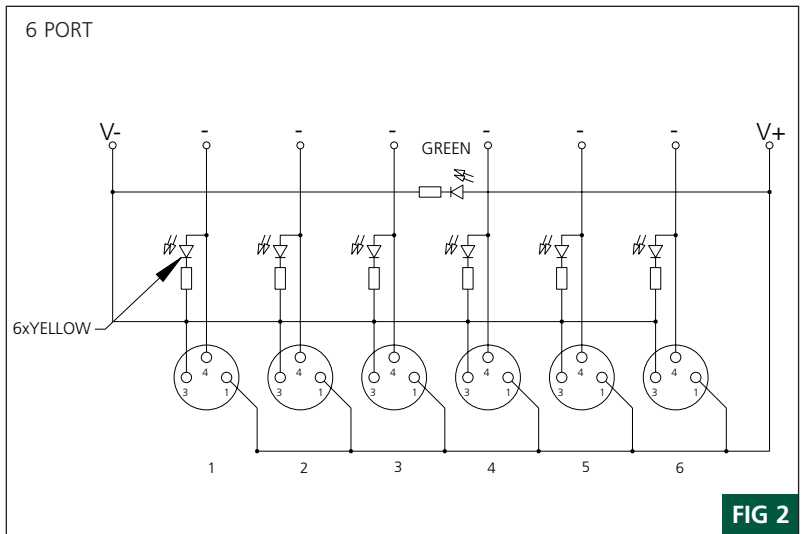
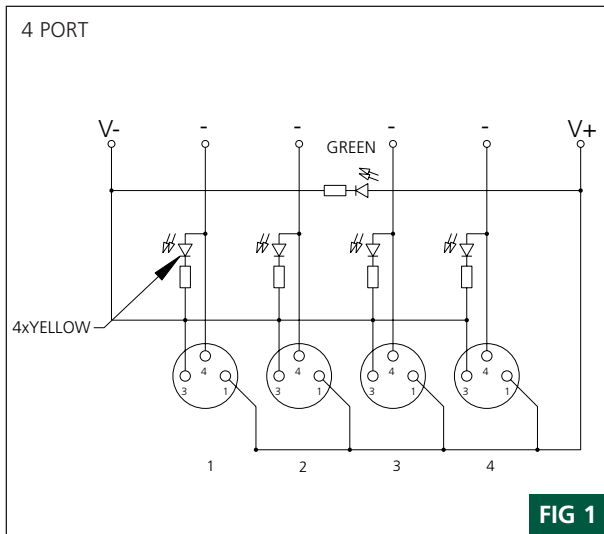
	4 PORT	6 PORT	8 PORT	10 PORT
V(+) AND V(-):	2 X 0.75 mm <sup>2</sup>	2 X 0.75 mm <sup>2</sup>	2 X 0.75 mm <sup>2</sup>	2 X 0.75 mm <sup>2</sup>
CONTROL:	4 X 0.34 mm <sup>2</sup>	6 X 0.34 mm <sup>2</sup>	8 X 0.34 mm <sup>2</sup>	10 X 0.34 mm <sup>2</sup>

**STRANDING**  
 V(+) AND V(-): 95 X 0.1 mm    85 x 0.1 mm    95 x 0.1 mm    95 x 0.1 mm  
 CONTROL: 42 X 0.1 mm    42 x 0.1 mm    42 x 0.1 mm    42 x 0.1 mm  
 DIAMETER: PUR: 0.28" (7mm)

**ELECTRICAL**  
 VOLTAGE RATING: 10-30V DC  
 AMPERAGE: 2A MAX/PORT; 6A TOTAL PER MPIS UNIT  
 INDICATING LIGHTS: GREEN LED-POWER; YELLOW LED-FUNCTION  
 AVERAGE LED LIFE: 100,000 HOURS

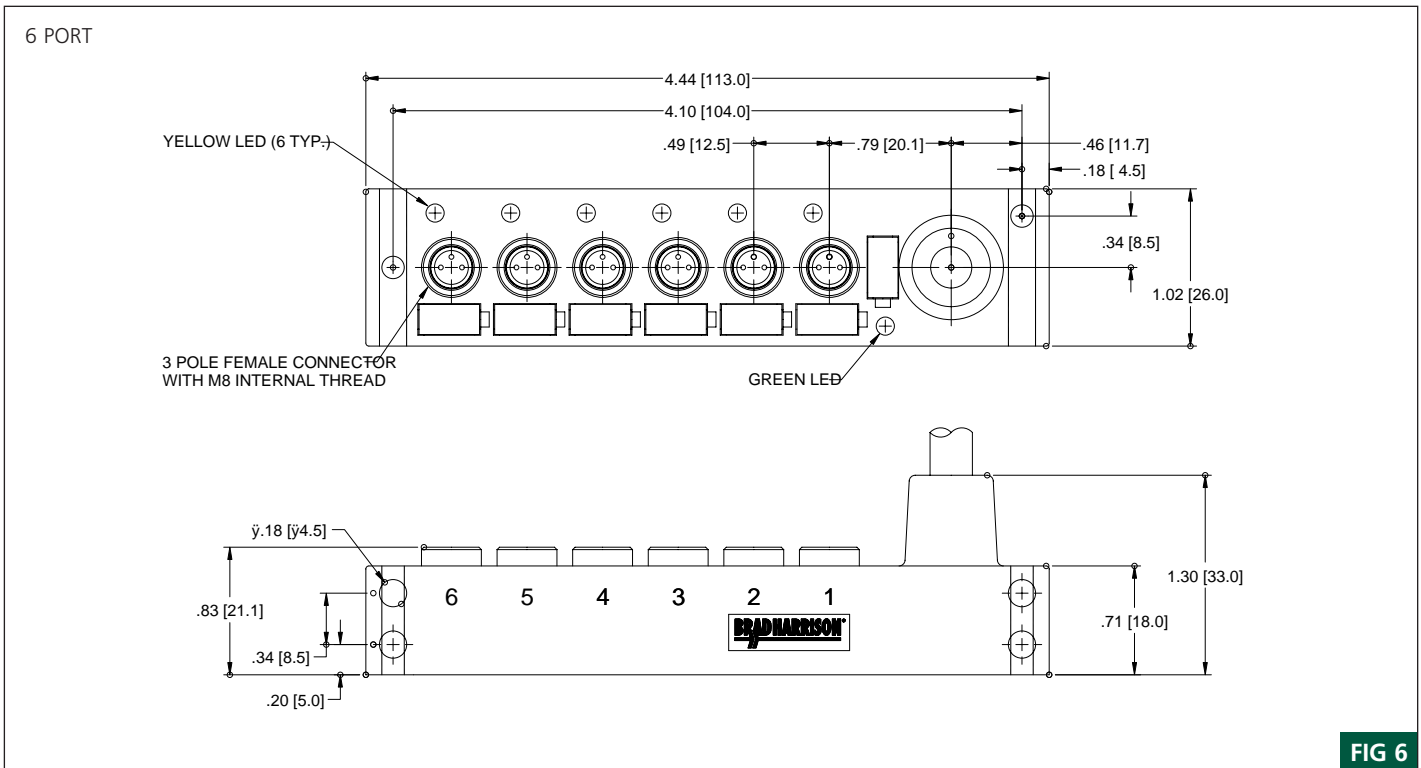
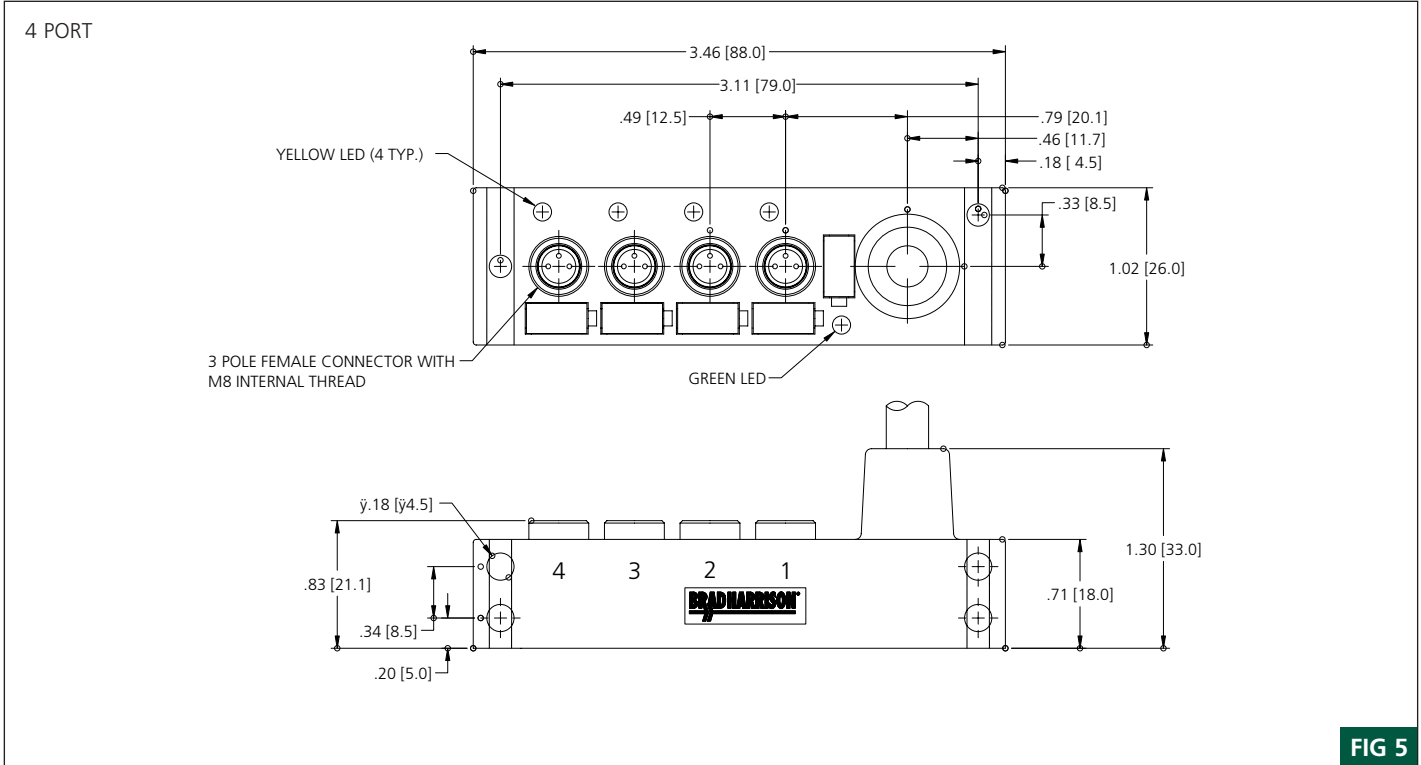
**ENVIRONMENTAL**  
 PROTECTION: IP68  
 AMBIENT OPERATING TEMPERATURE: -13° TO 194° F (-25° TO 90° C)

## SCHEMATICS



# Top Mount with Top Cable Entry Molded Home Run Cable

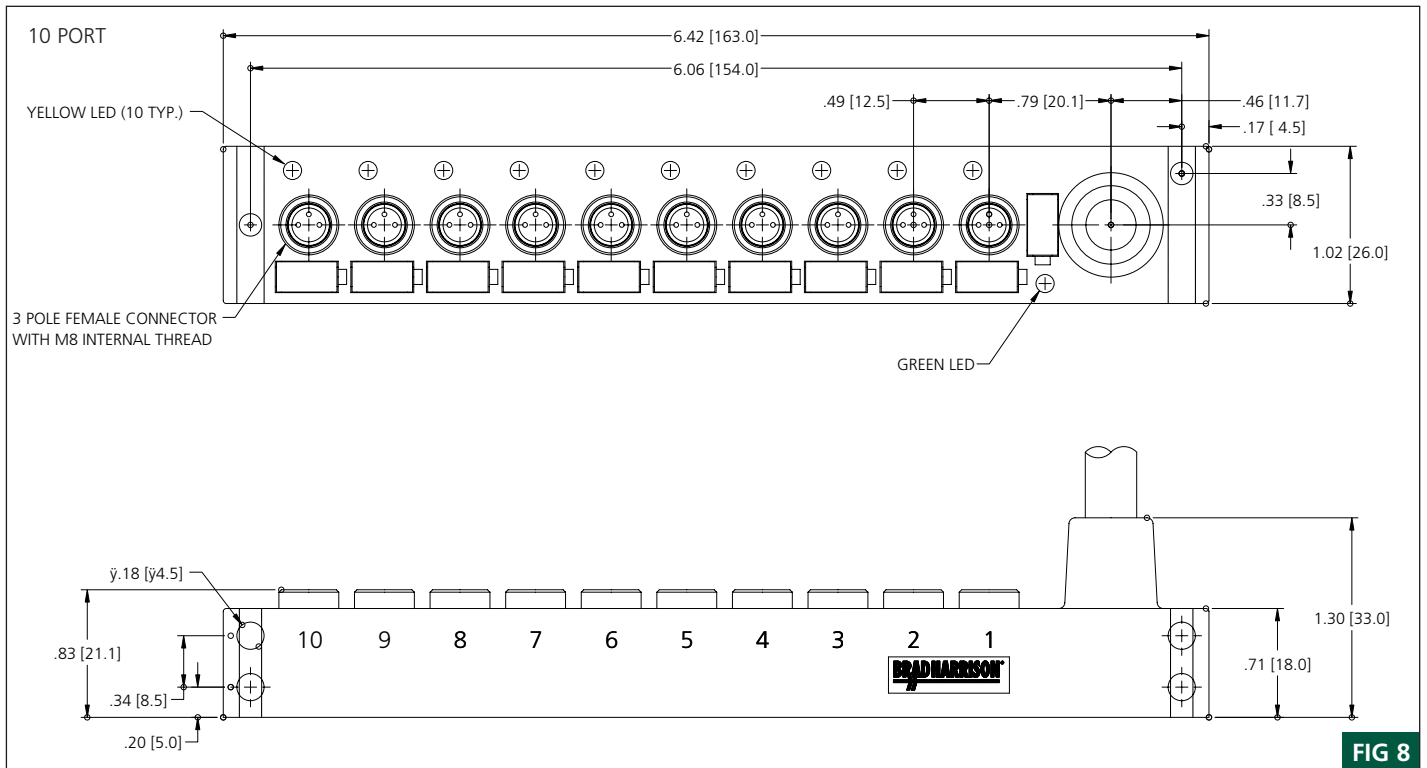
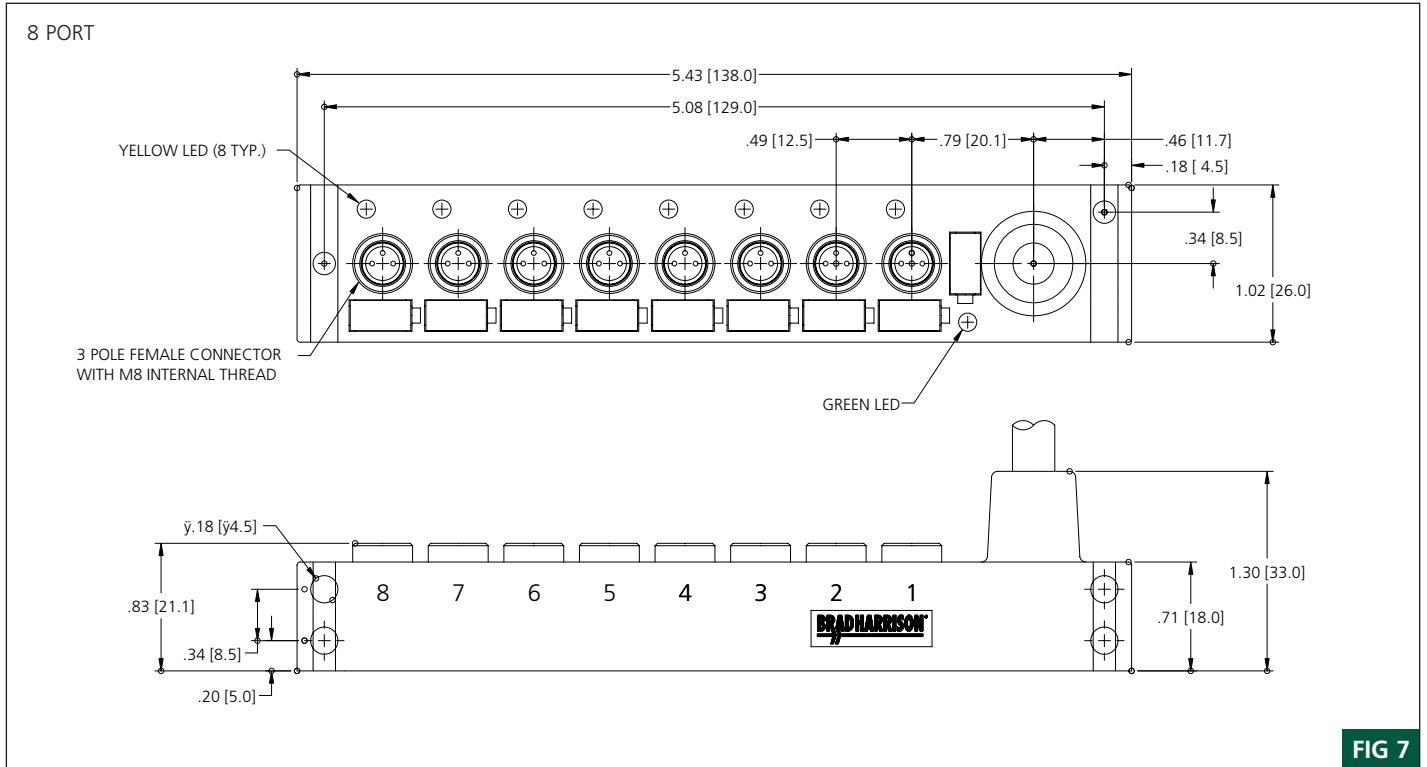
## MECHANICALS



# Top Mount with Top Cable Entry

## Molded Home Run Cable

### MECHANICALS



Accessories - Labels and (2) closure caps provided with each Multi-port  
 \* Other Accessories - see page 298