



Side Mount 4P/3W Parallel Wiring, Molded Home Run Cable

Simplifies wiring installation – integrated home run cable
 Parallel-wired for OR logic wiring of 4P male Mini-Change cordsets
 Flexibility with 4, 6 and 8 port configurations

	4 Port SCHEMATIC, FIG 1	6 Port SCHEMATIC, FIG 2	8 Port SCHEMATIC, FIG 3
FUNCTIONAL WIRING DIAGRAM			
HOME RUN CABLE COLOR CODE	white- V+ green- V- red- port #1 load orange- port #2 load black- port #3 load blue- port #4 load	white- V+ green- V- red- port #1 load orange- port #2 load black- port #3 load blue- port #4 load white w/ blk trace- port #5 load red w/ blk trace- port #6 load	white- V+ green- V- red- port #1 load orange- port #2 load black- port #3 load blue- port #4 load white w/ blk trace- port #5 load red w/ blk trace- port #6 load green w/ blk trace- port #7 load orange w/ blk trace- port #8 load

MPIS 3P PARALLEL WIRING WITH 20 FEET OF MOLDED HOME RUN CABLE #16 AWG						
	FIG		FIG		FIG	
PVC HOME RUN CABLE 20'	4	411P406-20	5	411P606-20	6	411P806-20

* Use 4P male Mini-Change® Cordsets page 42 or female/male cordsets page 44 to connect to the MPIS ports

CATALOG OPTIONS

Use the following chart to modify your part's specifications

411P406-20

NO. OF PORTS

4 PORT	4
6 PORT	6
8 PORT	8

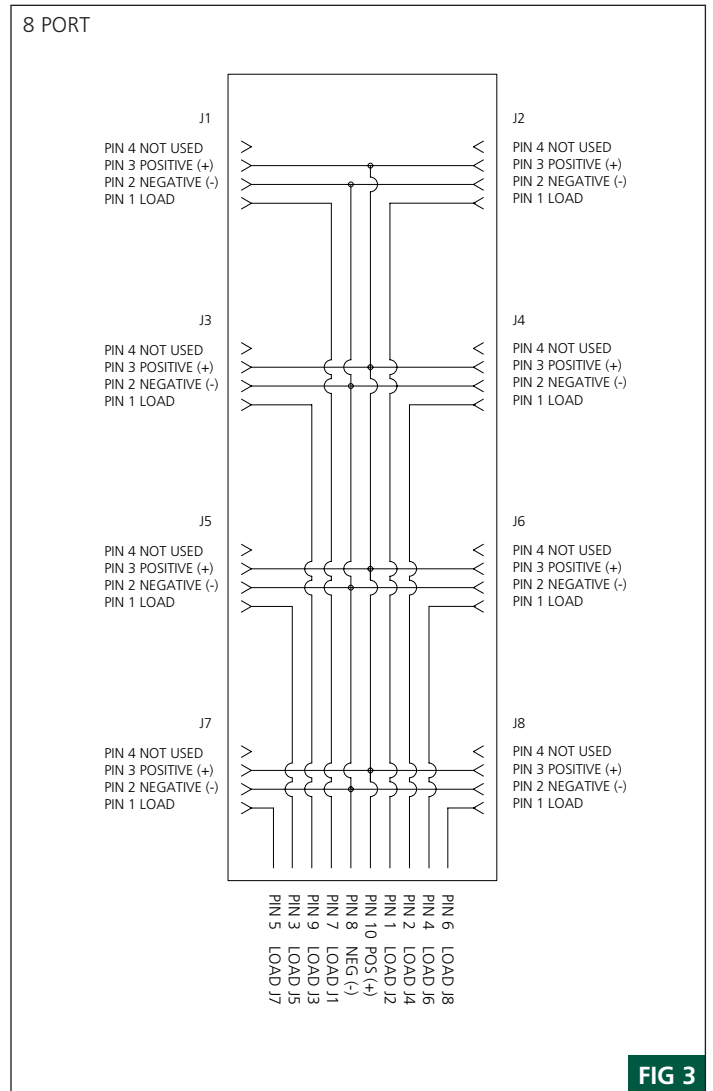
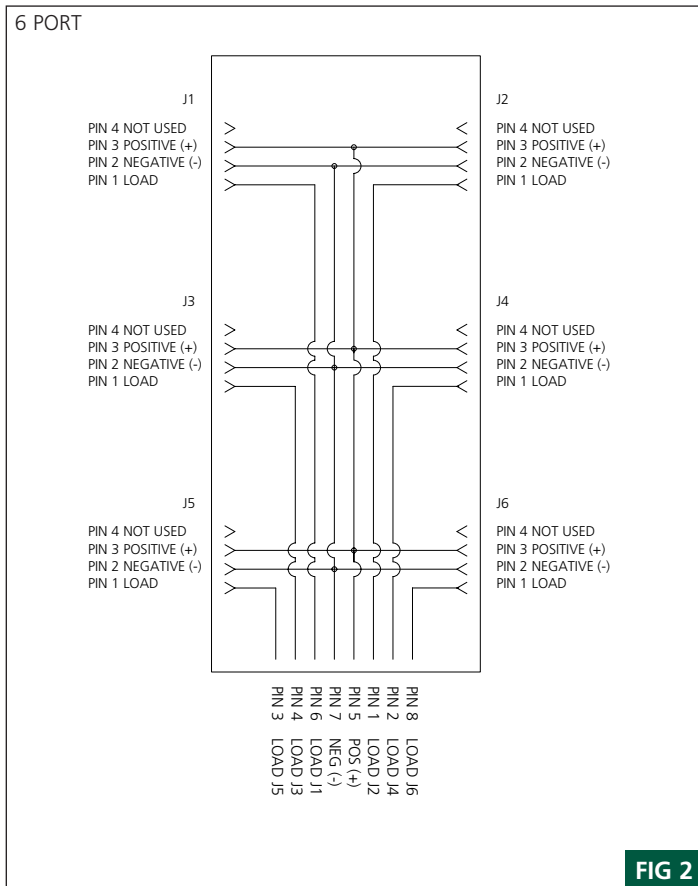
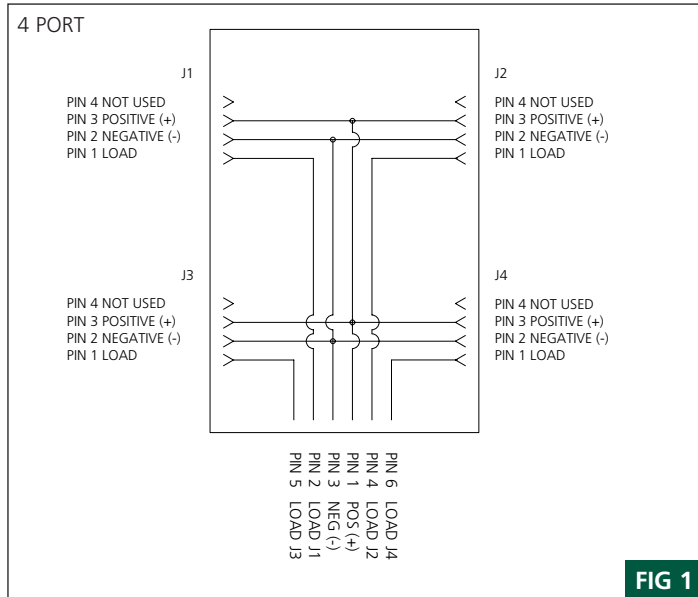
CABLE LENGTH

10'	10
20'	20

Specifications



SCHEMATICS



MECHANICAL
 INSERT: PVC
 HOUSING: PET (POLYESTER)
 RECEPTACLE HOUSING: ZINC DIE CAST WITH EPOXY COAT
 ID LABEL: ABS
HOME RUN CABLE
 YELLOW WITH PVC JACKET,
 #16/6,8 AND 10 CONDUCTORS
 WITH PVC INSULATION OVER
 65 X #34 COPPER STRANDING, UL
 LISTED ST00W 105°C, CSA
 CERTIFIED ST 105°C, 600 V

OUTSIDE DIAMETER:
 4 PORT: 0.54" (13.72mm)
 6 PORT: 0.61" (15.49mm)
 8 PORT: 0.66" (16.76mm)

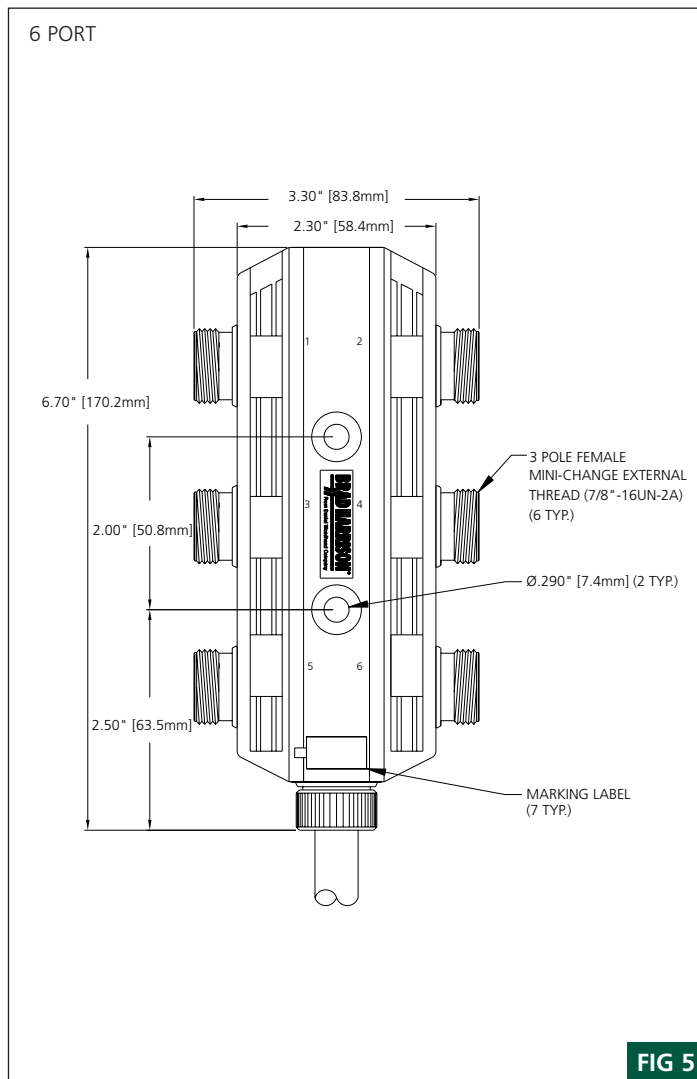
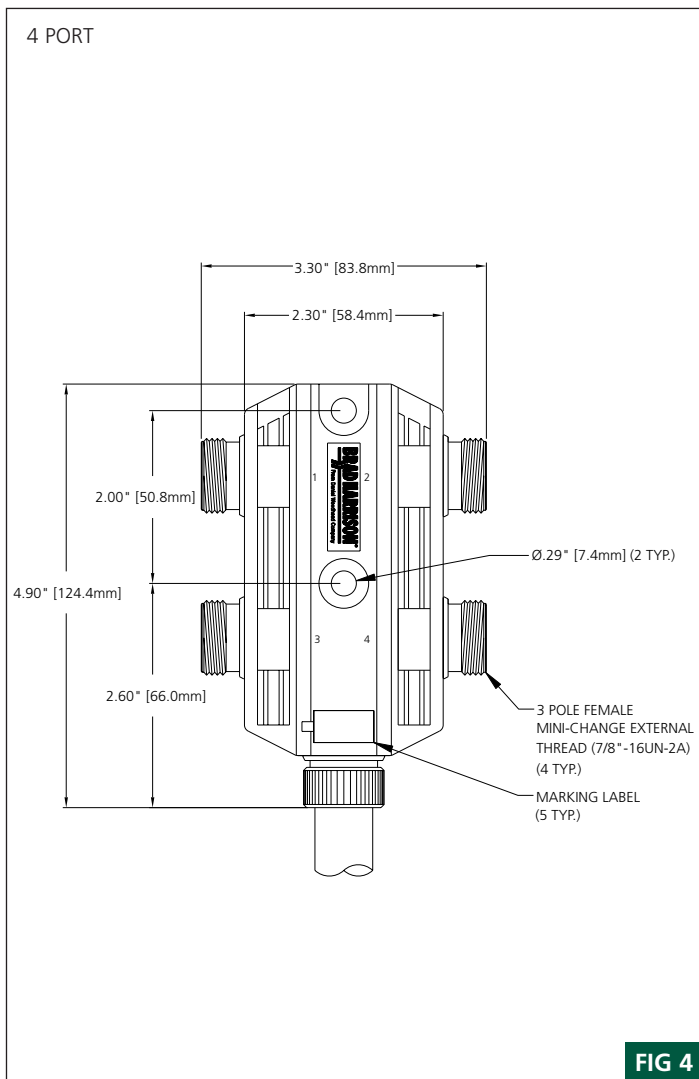
ELECTRICAL
 VOLTAGE RATING: 600V AC/DC
 AMPERAGE: 7A TOTAL PER MPIS UNIT

ENVIRONMENTAL
 PROTECTION: IP68, NEMA 6P
 AMBIENT OPERATING TEMPERATURE: -13° TO 194° F (-25° TO 90°C)

CERTIFICATIONS
 UL: UL RECOGNIZED, FILE NO. E46237
 CSA: CSA CERTIFIED, FILE NO. LR6837

Side Mount 4P/3W Parallel Wiring, Molded Home Run Cable

MECHANICALS



Side Mount 4P/3W Parallel Wiring, Molded Home Run Cable

MPIS® Molded JNX Boxes

Mini-Change®

MECHANICALS

8 PORT

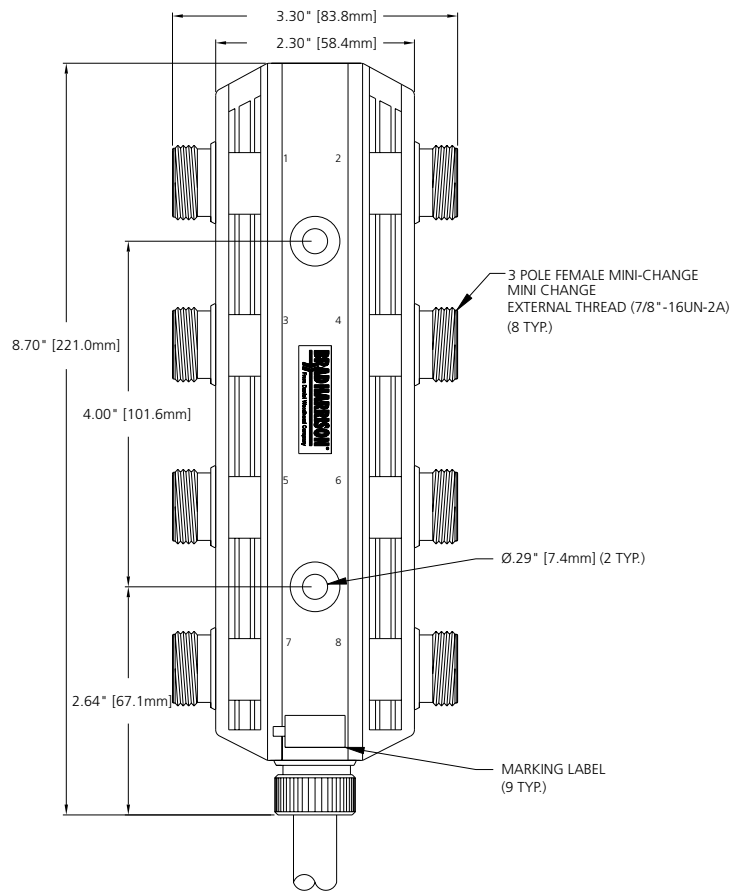


FIG 6