



Side Mount 4P/3W Parallel Wiring, Home Run Connector

Connectorized Mini-Change home run cable connection for maximum flexibility
 Parallel-wired for OR logic wiring of 4P male Mini-Change cordsets
 Flexibility with 4, 6 and 8 port configurations

	4 Port SCHEMATIC, FIG 1	6 Port SCHEMATIC, FIG 2	8 Port SCHEMATIC, FIG 3
FUNCTIONAL WIRING DIAGRAM			
HOME RUN CONNECTOR PINOUTS	1- V+ 2- port #1 load 3- V- 4- port #2 load 5- port #3 load 6- port #4 load	1- port #2 load 2- port #4 load 3- port #5 load 4- port #3 load 5- V+ 6- port #1 load 7- V- 8- port #6 load	1- port #2 load 2- port #4 load 3- port #5 load 4- port #6 load 5- port #7 load 6- port #8 load 7- port #1 load 8- V- 9- port #3 load 10- V+
HOME RUN CONNECTOR MALE FACE VIEW			

MPIS, 4P/3 WIRE PARALLEL WIRING WITH MINI-CHANGE HOME RUN CONNECTOR						
	FIG		FIG		FIG	
MPIS	4	411P401	5	411P601	6	411P801

* Use 4P male cordsets page 42 or female/male cordsets page 44 to connect to the MPIS ports

FEMALE SINGLE-ENDED HOME RUN CABLE - PVC JACKET AND #16 AWG CONDUCTORS						
	FIG		FIG		FIG	
HOME RUN CABLE 6'	7	106000A01F060	8	208000A01F060	9	301000A01F060
HOME RUN CABLE 12'	7	106000A01F120	8	208000A01F120	9	301000A01F120
HOME RUN CABLE 20'	7	106000A01F200	8	208000A01F200	9	301000A01F200
FEMALE/MALE DOUBLE ENDED HOME RUN CABLE - PVC JACKET AND #16 AWG CONDUCTORS						
HOME RUN CABLE 6'	10	116020A01F060	11	228020A01F060	12	331020A01F060
HOME RUN CABLE 12'	10	116020A01F120	11	228020A01F120	12	331020A01F120
HOME RUN CABLE 20'	10	116020A01F200	11	228020A01F200	12	331020A01F200
FEMALE RECEPTACLE WITH #16 AWG PVC LEADS 12" LONG TO ACCEPT HOME RUN CABLE EXTENSION						
FEMALE RECEPTACLE	13	1R6004A20A120	14	2R8004A20A120	15	3R1004A20A120

Specifications



MECHANICAL
 INSERT: PVC
 HOUSING: PET (POLYESTER)
 RECEPTACLE HOUSING: ZINC DIE CAST WITH EPOXY COAT
 ID LABEL: ABS
HOME RUN CONNECTOR
 YELLOW CABLE WITH PVC JACKET,
 #16/6,8 AND 10 CONDUCTORS WITH
 PVC INSULATION OVER 65 X #34
 COPPER STRANDING,
 UL LISTED ST00W 105°C,
 CSA CERTIFIED ST 105°C, 600 V
 4 PORT: 0.54" (13.72mm)
 6 PORT: 0.61" (15.49mm)
 8 PORT: 0.66" (16.76mm)

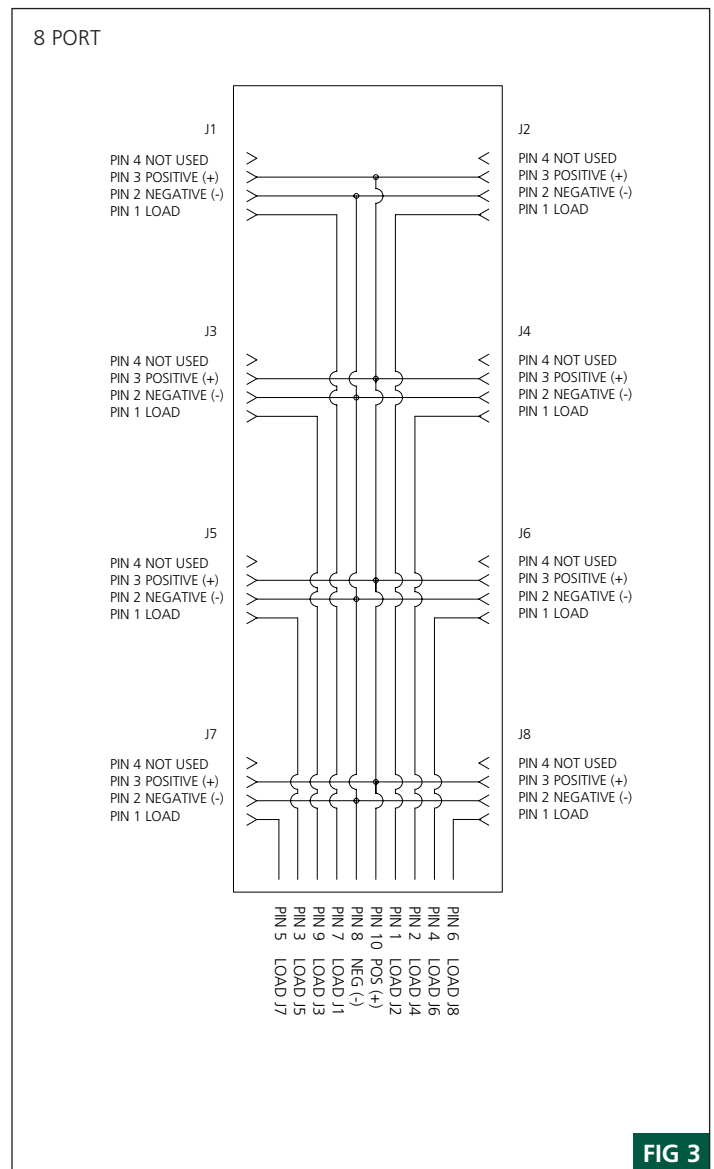
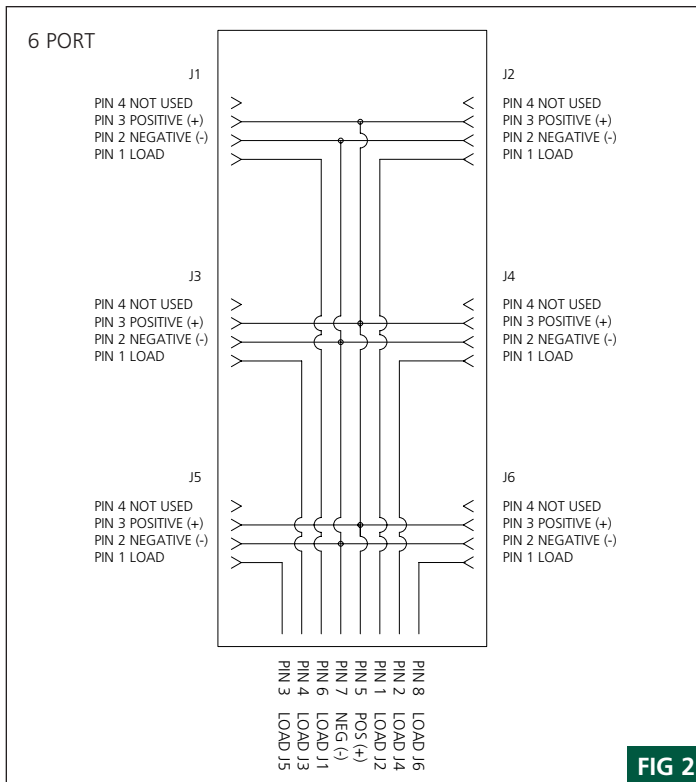
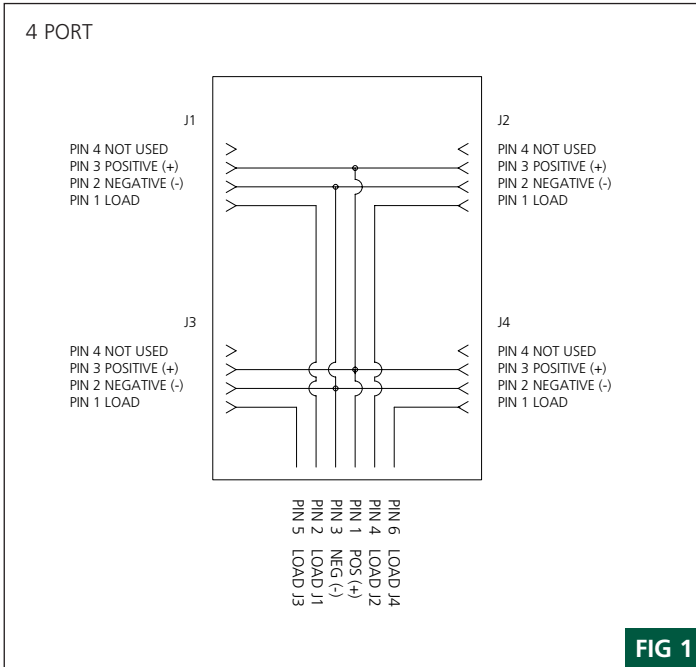
OUTSIDE DIAMETER:
 4 PORT: 0.54" (13.72mm)
 6 PORT: 0.61" (15.49mm)
 8 PORT: 0.66" (16.76mm)

ELECTRICAL
 VOLTAGE RATING: 600V AC/DC
 AMPERAGE: 7A MAX PER UNIT

ENVIRONMENTAL
 PROTECTION: IP68, NEMA 6P
 AMBIENT OPERATING TEMPERATURE: -13° TO 194°F (-25° TO 90°C)

CERTIFICATIONS
 UL: RECOGNIZED, FILE NO. E46237
 CSA: CSA CERTIFIED, FILE NO. LR6837

SCHEMATICS



Side Mount 4P/3W Parallel Wiring, Home Run Connector

MECHANICALS

4 PORT

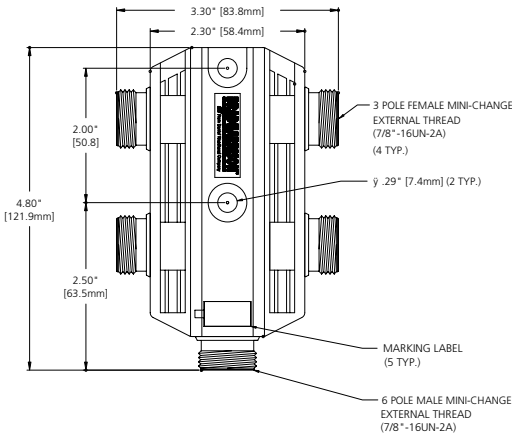


FIG 4

8 PORT

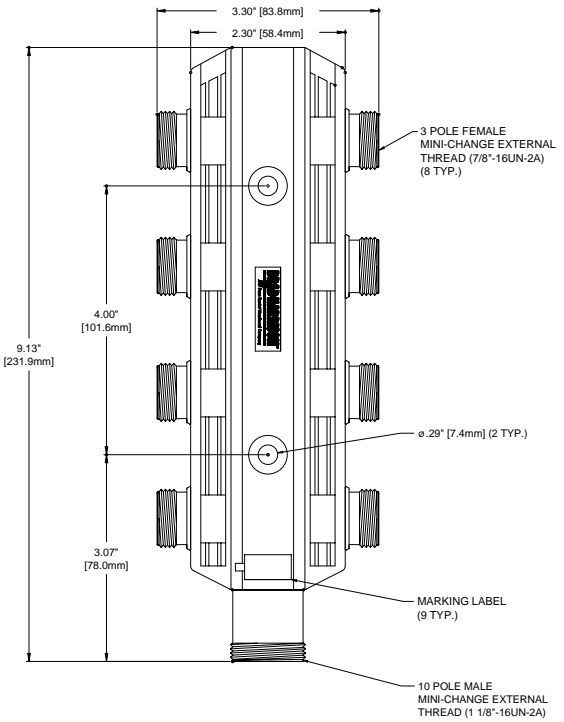


FIG 6

6 PORT

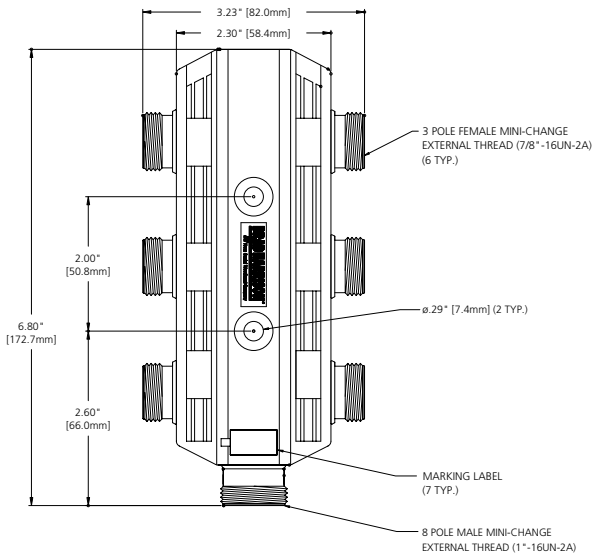


FIG 5

FEMALE SINGLE-ENDED HOME RUN CABLE

4 PORT

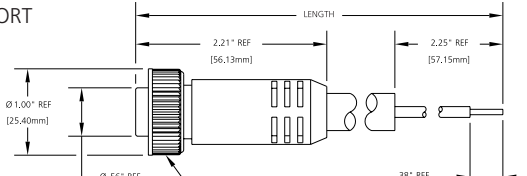


FIG 7

6 PORT

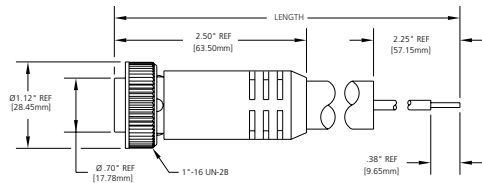


FIG 8

8 PORT

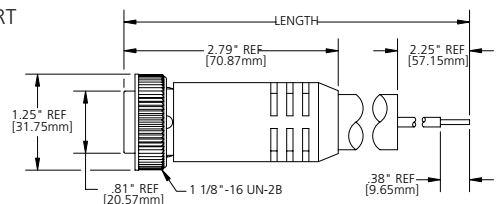
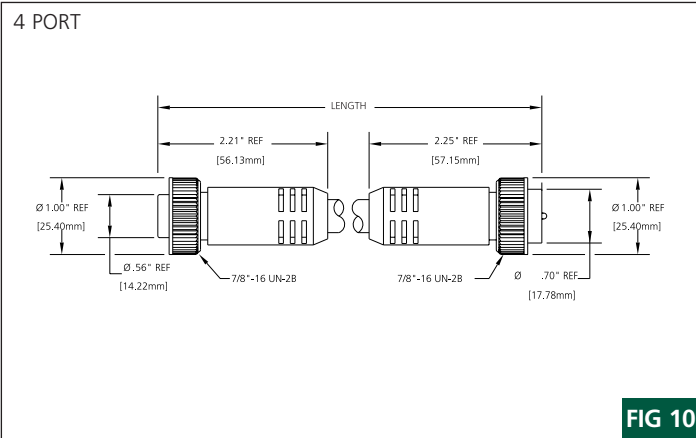


FIG 9

Side Mount 4P/3W Parallel Wiring, Home Run Connector

FEMALE/MALE DOUBLE-ENDED HOME RUN CABLE



FEMALE RECEPTACLE FOR HOME RUN CABLE

