



Side Mount 3P Series Wiring, Home Run Cable

Simplifies wiring installation-integrated molded home run cable
 Series-wired for AND or NOR logic wiring of 3P Mini-Change male cordsets
 Flexibility with 4, 6 and 8 port configurations

	4 Port SCHEMATIC, FIG 1	6 Port SCHEMATIC, FIG 2	8 Port SCHEMATIC, FIG 3
FUNCTIONAL WIRING DIAGRAM			
HOME RUN CABLE COLOR CODE	<p>white- common green- gnd black- load</p>		

MPIS, 3P SERIES WIRING WITH 20 FOOT MOLDED HOME RUN CABLE PVC #16 AWG						
	FIG		FIG		FIG	
PVC HOME RUN CABLE 20'	4	409P408-20	5	409P608-20	6	409P808-20

*Use 3P Mini-Change Male Cordsets Page 42 or female-male cordsets page 44 to connect the MPIS Ports
 *For Unused Input Ports Use Jumper Plugs Pin 40936 page 298

CATALOG OPTIONS

Use the following chart to modify your part's specifications

409P606-10

NO. OF PORTS

4 PORT	4
6 PORT	6
8 PORT	8

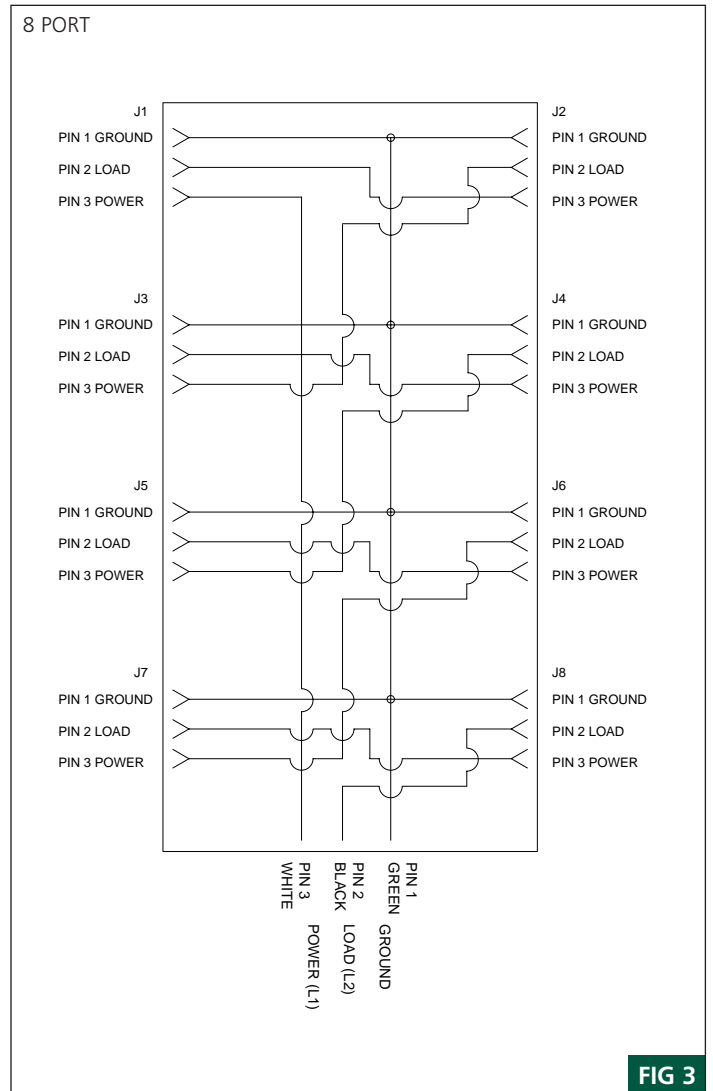
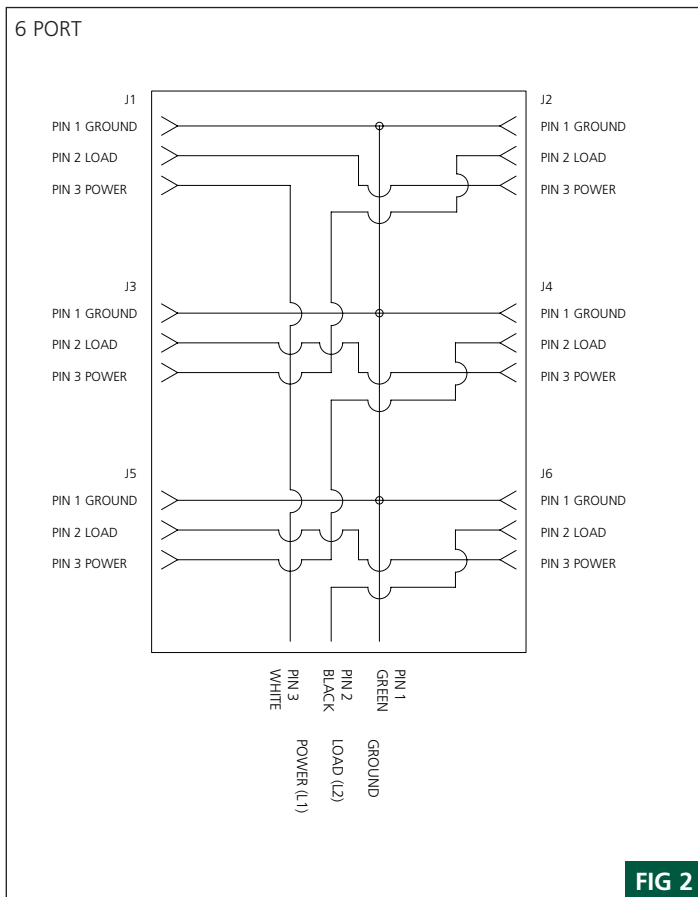
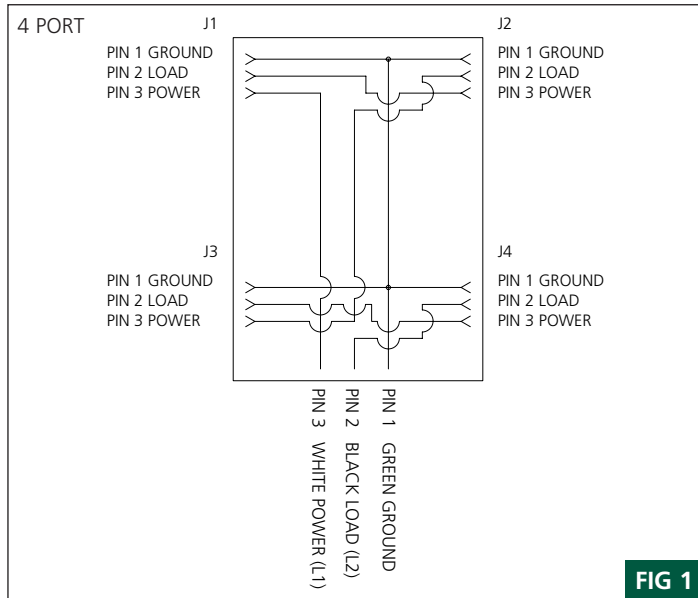
CABLE LENGTH

10'	10
20'	20

Specifications



SCHEMATICS



- MECHANICAL**
- INSERT: PVC
- HOUSING: PET (POLYESTER)
- RECEPTACLE HOUSING: ZINC DIE CAST WITH EPOXY COAT
- ID LABEL: ABS
- HOME RUN CABLE**
- YELLOW WITH PVC JACKET, #16/3 AWG CONDUCTOR WITH PVC INSULATION OVER 65 X #34 COPPER STRANDING, UL LISTED STOOV 105°C, CSA CERTIFIED ST 105°C, 600 V
- OUTSIDE DIAMETER: 0.41" (10.4mm)
- ELECTRICAL**
- VOLTAGE RATING: 600V AC/DC
- AMPERAGE: 7A MAX PER MPIS UNIT
- ENVIRONMENTAL**
- PROTECTION: IP68, NEMA 6P
- AMBIENT OPERATING TEMPERATURE: -13° TO 194° F (-25° TO 90° C)
- CERTIFICATIONS**
- UL: UL RECOGNIZED, FILE NO. E46237
- CSA: CSA CERTIFIED, FILE NO. LR6837

Standard Accessories - marking labels and (2) closure caps for each MPIS
* For optional accessories - see page 298

Side Mount 3P Series Wiring, Home Run Cable

MECHANICALS

4 PORT

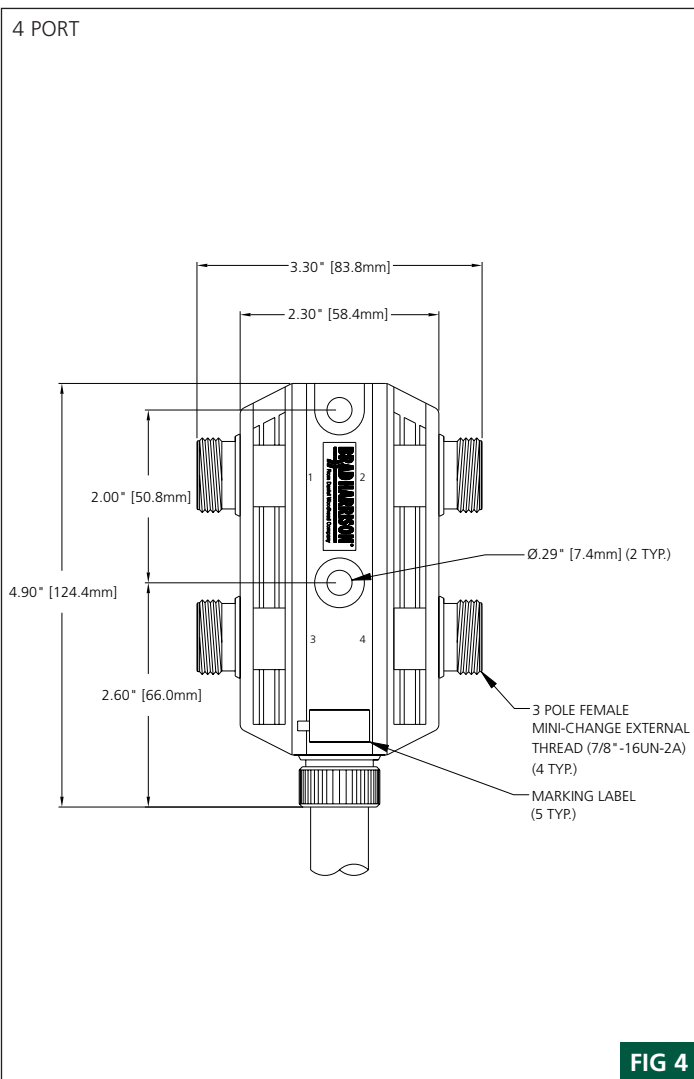


FIG 4

6 PORT

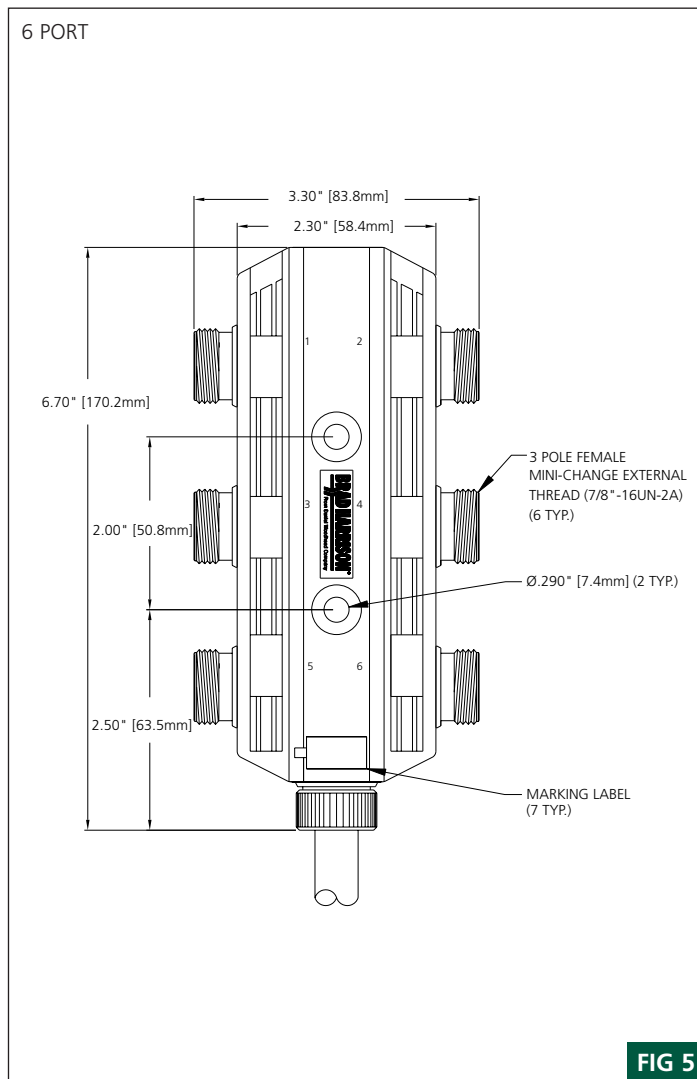


FIG 5

Side Mount 3P Series Wiring, Home Run Cable

MPIS® Molded JNX Boxes

Mini-Change®

MECHANICALS

8 PORT

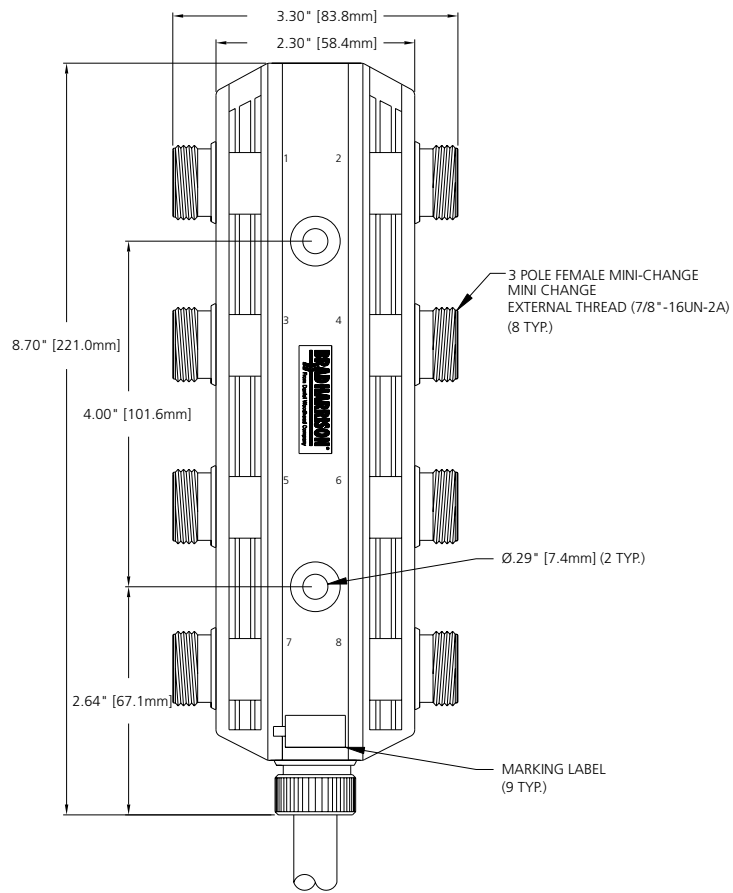


FIG 6