



Side Mount 3P-LED Parallel Wiring, Home Run Connector

Connectorized Mini-Change home run cable connection for maximum flexibility
 Parallel-wired for OR logic wiring of 3P male Mini-Change cordsets – with LED's for power and output diagnostics
 Flexibility with 4, 6 and 8 port configurations

	4 Port SCHEMATIC, FIG 1	6 Port SCHEMATIC, FIG 2	8 Port SCHEMATIC, FIG 3
FUNCTIONAL WIRING DIAGRAM			
HOME RUN CONNECTOR PINOUTS	1- LED return 2- port #3 load 3- common 4- port #1 load 5- port #2 load 6- port #4 load 7- gnd	1- port #2 load 2- port #4 load 3- port #6 load 4- LED return 5- common 6- port #1 load 7- gnd-load 8- port #5 load 9- port #3 load	1- port #2 load 2- port #4 load 3- port #5 load 4- port #6 load 5- port #7 load 6- port #8 load 7- LED return 8- no connection 9- gnd 10- port #1 load 11- common 12- port #3 load
HOME RUN CONNECTOR MALE FACE VIEW			

MPIS 3P WITH LED WITH MINI-CHANGE HOME RUN CONNECTOR						
	FIG		FIG		FIG	
MPIS	4	410P401	5	410P601	6	410P801

* Use 3P male cordsets page 42 or female/male cordsets page 44 to connect to the MPIS units

FEMALE SINGLE-ENDED HOME RUN CABLE -PVC JACKET AND #16 AWG CONDUCTORS						
	FIG		FIG		FIG	
HOME RUN CABLE 6'	7	207000A01F060	8	309000A01F060	9	302000A01F060
HOME RUN CABLE 12'	7	207000A01F120	8	309000A01F120	9	302000A01F120
HOME RUN CABLE 20'	7	207000A01F200	8	309000A01F200	9	302000A01F200
FEMALE/MALE DOUBLE-ENDED HOME RUN CABLE -PVC JACKET AND #16 AWG CONDUCTORS						
HOME RUN EXTENSION 6'	10	227020A01F060	11	339020A01F060	12	332020A01F060
HOME RUN CABLE 12'	10	227020A01F120	11	339020A01F120	12	332020A01F120
HOME RUN CABLE 20'	10	227020A01F200	11	339020A01F200	12	332020A01F200
FEMALE RECEPTACLE WITH #16 AWG PVC LEADS 12" LONG TO ACCEPT HOME RUN CABLE EXTENSION						
FEMALE RECEPTACLE	13	2R7004A20A120	14	3R9004A20A120	15	3R2004A20A120

Specifications



MECHANICAL
 INSERT: PVC
 HOUSING: PET (POLYESTER)
 RECEPTACLE HOUSING: ZINC DIE CAST WITH EPOXY COAT
 ID LABEL: ABS
HOME RUN CONNECTOR
 YELLOW CABLE WITH PVC JACKET, #16/7,9 AND 12 CONDUCTORS WITH PVC INSULATION OVER 65 X #34 COPPER STRANDING, UL LISTED STOOV 105°C, CSA CERTIFIED 105°C, 600 V
 4 PORT: 0.54" (13.7mm)
 6 PORT: 0.66" (16.7mm)
 8 PORT: 0.71" (18.3mm)

ELECTRICAL
 VOLTAGE RATING: 600V AC/DC
 AMPERAGE: 7A TOTAL PER MPIS UNIT
 INDICATING LIGHTS: GREEN LED-POWER, YELLOW LED-FUNCTION
 AVERAGE LED EXPECTANCY: 100,000 HOURS
 ENVIRONMENTAL PROTECTION: IP68, NEMA 6P
 AMBIENT OPERATING TEMPERATURE: -13°F TO 194°F (-25° C TO 90°C)

CERTIFICATIONS
 UL: UL RECOGNIZED, FILE NO. E46237
 CSA: CSA CERTIFIED, FILE NO. LR6837

SCHEMATICS

4 PORT

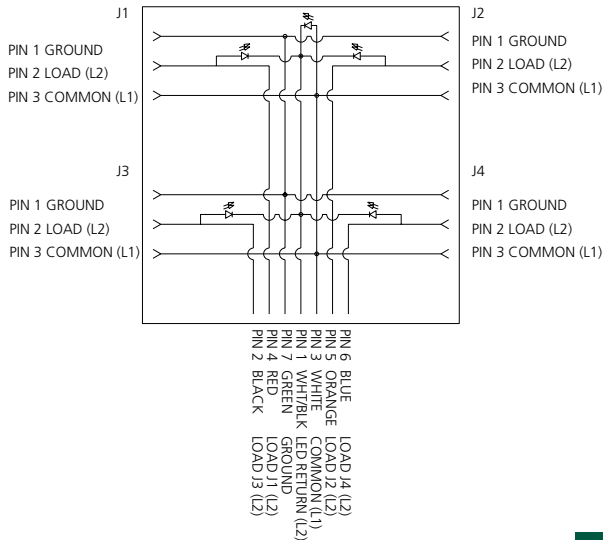


FIG 1

6 PORT

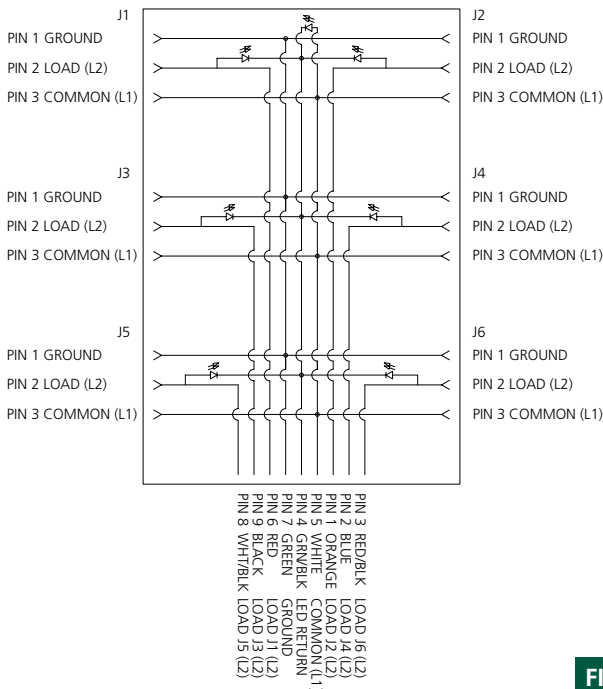


FIG 2

8 PORT

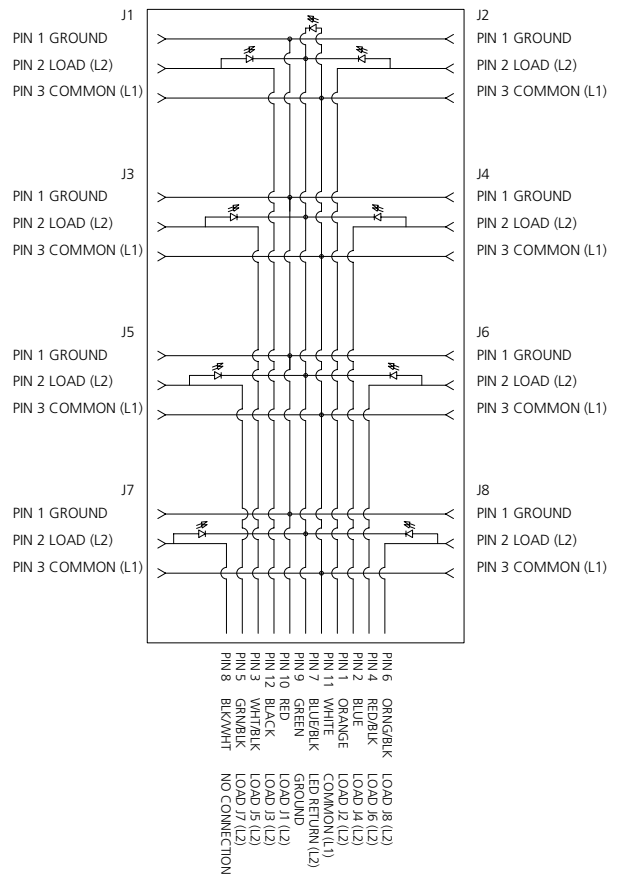


FIG 3

Side Mount 3P-LED Parallel Wiring, Home Run Connector

MECHANICALS

4 PORT

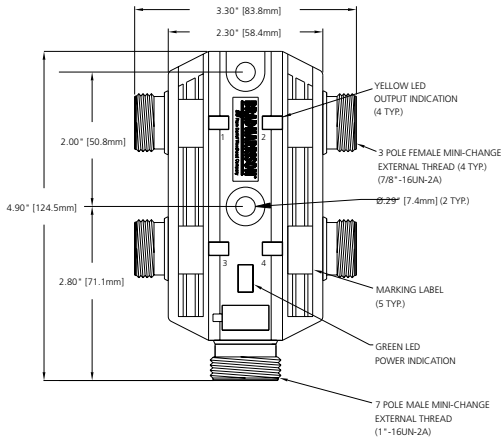


FIG 4

8 PORT

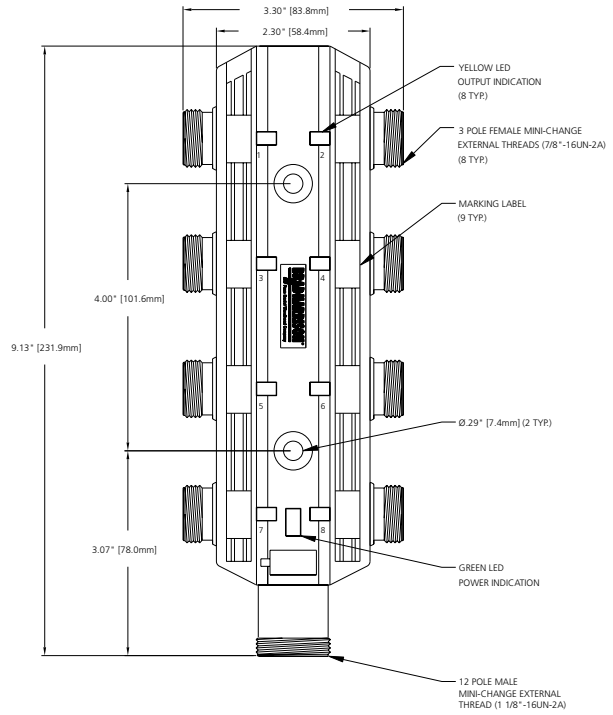


FIG 6

6 PORT

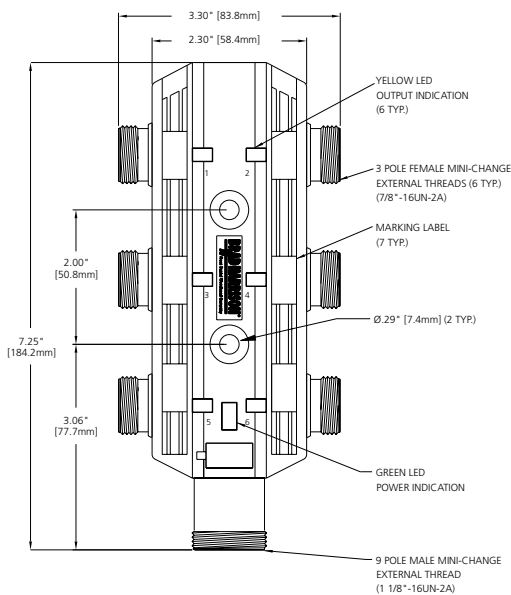


FIG 5

FEMALE SINGLE-ENDED HOME RUN CABLE

4 PORT

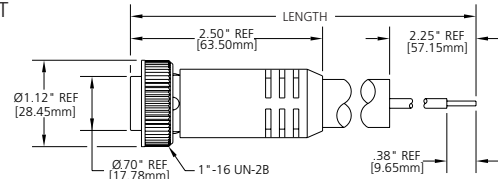


FIG 7

6 PORT

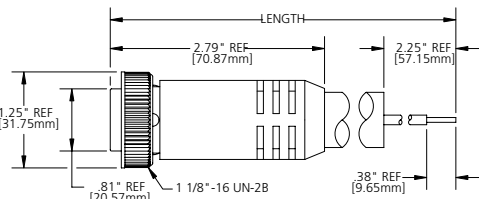


FIG 8

8 PORT

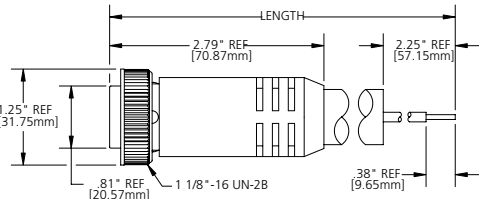
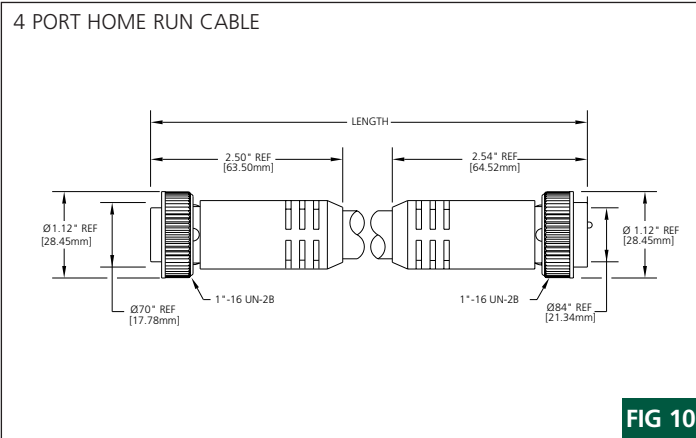


FIG 9

Side Mount 3P-LED Parallel Wiring, Home Run Connector

MALE/FEMALE DOUBLE-ENDED HOME RUN CABLE



FEMALE RECEPTACLE FOR HOME RUN CABLE EXTENSIONS

