



# Side Mount 3P-LED Parallel Wiring, Molded Home Run Cable

Simplifies wiring installation – integrated molded home run cable  
 Parallel-wired for, or logic wiring of, 3P male cordsets – with LED for diagnostics  
 Flexibility with 4, 6 and 8 port configurations

	<b>4 Port</b> SCHEMATIC, FIG 1	<b>6 Port</b> SCHEMATIC, FIG 2	<b>8 Port</b> SCHEMATIC, FIG 3
<b>FUNCTIONAL WIRING DIAGRAM</b>			
<b>HOME RUN CABLE COLOR CODE</b>	white- common green- gnd red- port #1 load orange- port #2 load black- port #3 load blue- port #4 load white w/ blk trace- LED return	white- common green- gnd red- port #1 load orange- port #2 load black- port #3 load blue- port #4 load white w/ blk trace- port #5 load red w/ blk trace- port #6 load green w/ blk trace- LED return	white- common green- gnd red- port #1 load orange- port #2 load black- port #3 load blue- port #4 load white w/ blk trace- port #5 load red w/ blk- port #6 load green w/ blk- port #7 load orange w/ blk- port #8 load blue w/ blk- LED return black w/ white- no connection

MPIS 3P WITH LED PARALLEL WIRING WITH 20' OF MOLDED HOME RUN CABLE #16 AWG						
	FIG		FIG		FIG	
PVC HOME RUN CABLE 20'	4	410P406-20	5	410P606-20	6	410P806-20

\* Use 3P male Mini-Change® Cordsets page 42 or female/male cordsets page 44 to connect to the MPIS ports

## CATALOG OPTIONS

Use the following chart to modify your MPIS units specifications

# 410P406-20

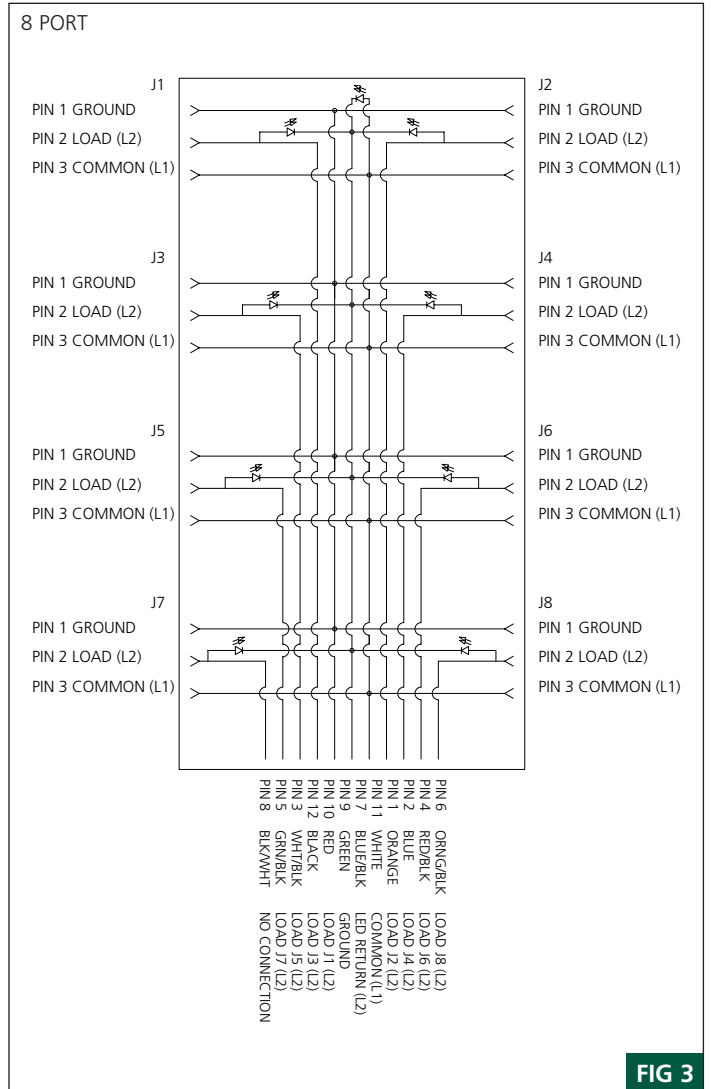
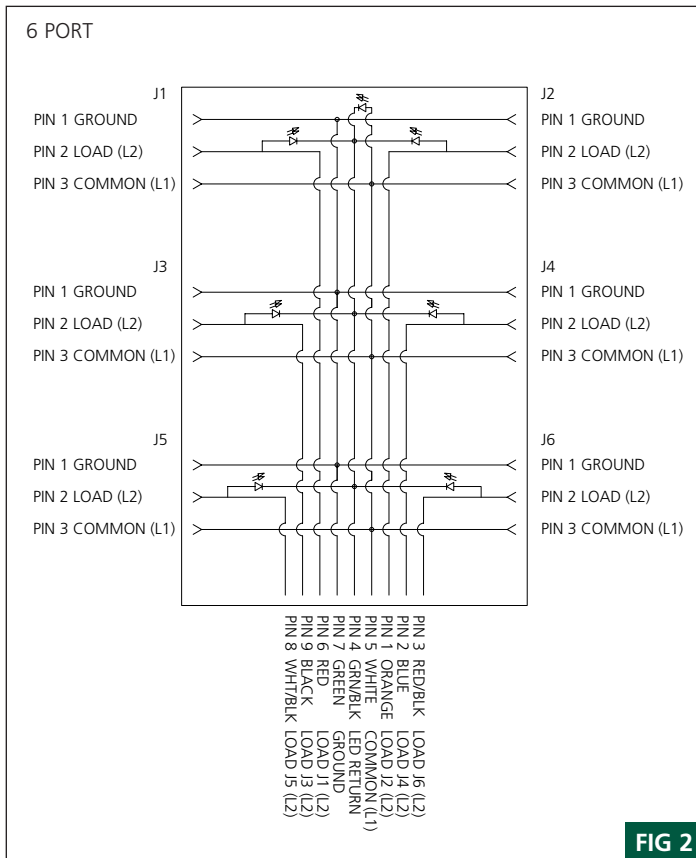
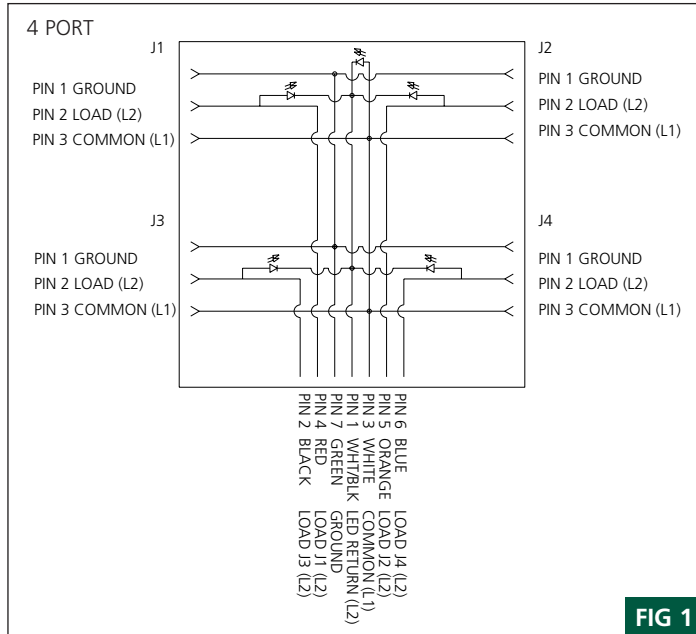
NO. OF PORTS	
4 PORT	4
6 PORT	6
8 PORT	8

CABLE LENGTH	
20'	20

# Specifications



## SCHEMATICS



**MECHANICAL**  
 INSERT: PVC  
 HOUSING: PET (POLYESTER)  
 RECEPTACLE HOUSING: ZINC DIE CAST WITH BLACK EPOXY COAT  
 ID LABEL: ABS  
**HOME RUN CABLE**  
 YELLOW WITH PVC JACKET, #16/7,9 AND 12 CONDUCTORS WITH PVC INSULATION OVER 65 X #34 COPPER STRANDING, UL LISTED STOOV 105°C, CSA CERTIFIED 105°C, 600 V  
 OUTSIDE DIAMETER:  
 4 PORT: 0.54" (13.7mm)  
 6 PORT: 0.66" (16.7mm)  
 8 PORT: 0.71" (18.3mm)

**ELECTRICAL**  
 VOLTAGE RATING: 600V AC/DC  
 AMPERAGE: 7A TOTAL PER MPIS UNIT  
 INDICATING LIGHTS: GREEN LED-POWER, YELLOW LED-FUNCTION  
 AVERAGE LED EXPECTANCY: 100,000 HOURS

**ENVIRONMENTAL**  
 PROTECTION: IP68, NEMA 6P  
 AMBIENT OPERATING TEMPERATURE: -13° TO 194° F (-25° TO 90° C)

**CERTIFICATIONS**  
 UL: UL RECOGNIZED, FILE NO. E46237  
 CSA: CSA CERTIFIED, FILE NO. LR6837

Standard Accessories - marking labels and (2) closure caps for each MPIS  
 \* Other Accessories - see page 298

# Side Mount 4P/3W Parallel Wiring, Molded Home Run Cable

## MECHANICALS

4 PORT

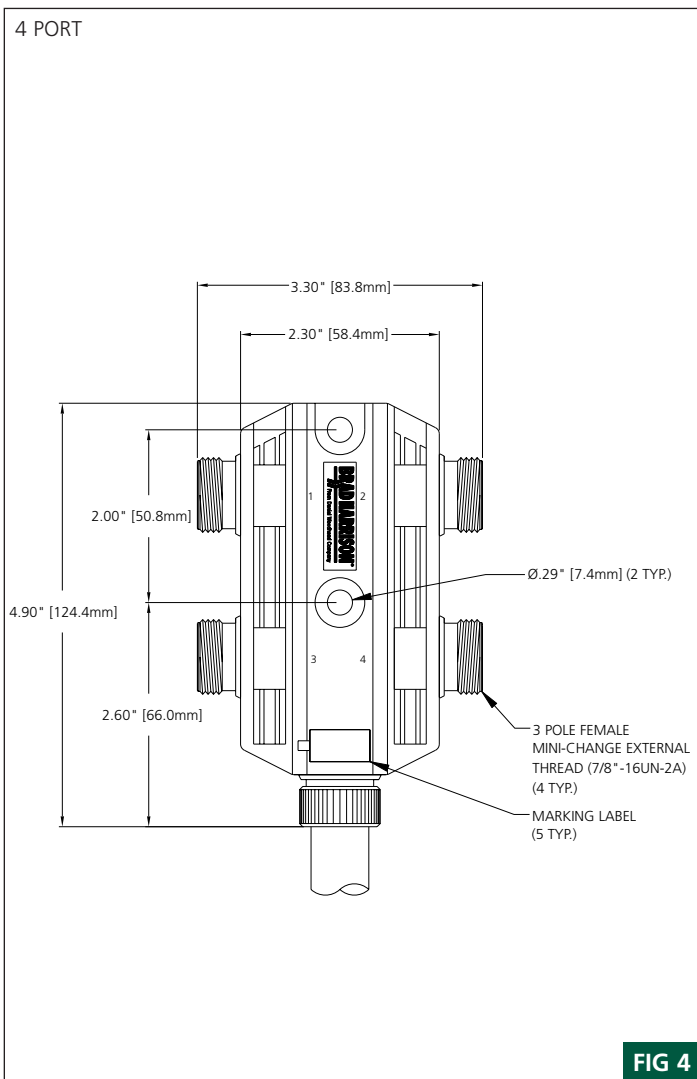


FIG 4

6 PORT

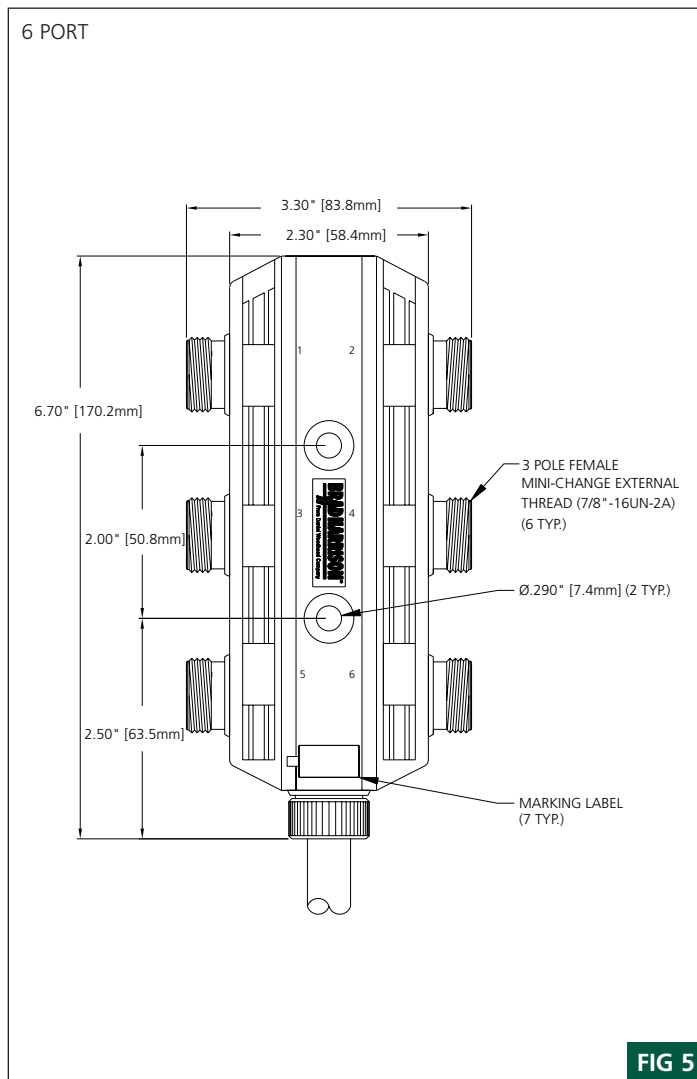


FIG 5

# Side Mount 4P/3W Parallel Wiring, Molded Home Run Cable

MPIS® Molded JNX Boxes

Mini-Change®

## MECHANICALS

8 PORT

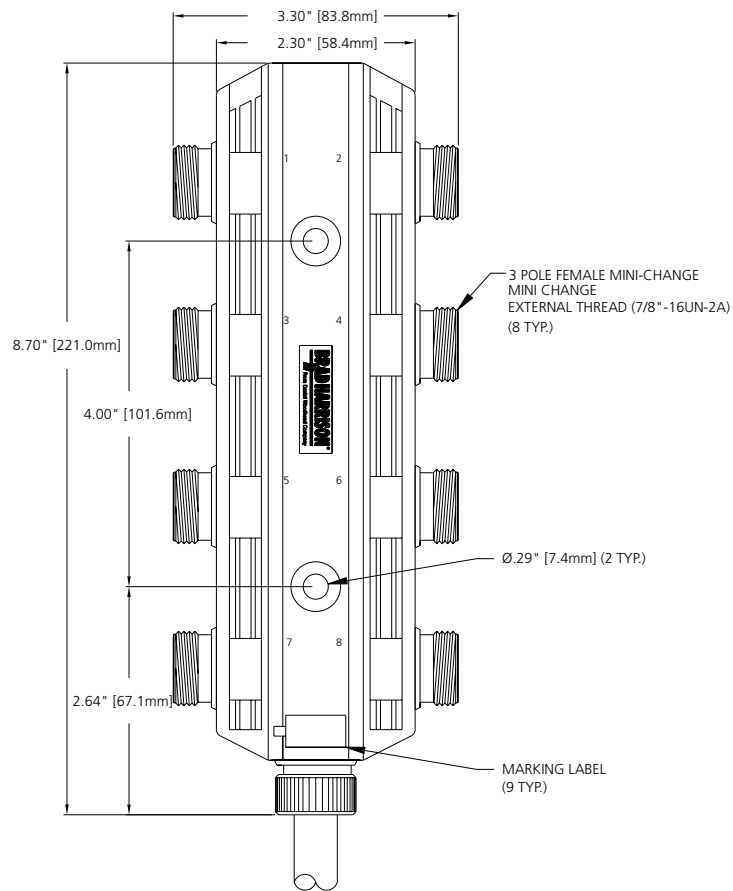


FIG 6