



Top Mount, Single Keyway Twin-Wired with Molded Home Run Cable

Simplifies wiring installation, molded PUR home run cable
Twin-wired for maximum wiring density
Accommodates 4-wire DC sensors, pin #2 load wired sensors

NEW	4 Port	8 Port
HOME RUN CABLE FUNCTIONAL WIRING	pink- port #1 load #2 white- port #1 load #1 red- port #2 load #2 green- port #2 load #1 black- port #3 load #2 yellow- port #3 load #1	violet- port #4 load #2 gray- port #4 load #1 green/yellow- gnd brown- V+ blue- V-
		grey/pink- port #1 load #2 white- port #1 load #1 red/blue- port #2 load #2 green- port #2 load #1 white/green- port #3 load #2 yellow- port #3 load #1 brown/green- port #4 load #2 gray- port #4 load #1 green/yellow- gnd brown- V+
		blue- V- white/yellow- port #5 load #2 pink- port #5 load #1 yellow/brown- port #6 load #2 red- port #6 load #1 white/gray- port #7 load #2 black- port #7 load #1 gray/brown- port #8 load #2 violet- port #8 load #1

FUNCTIONAL WIRING	MPIS SINGLE KEYWAY DUAL INPUT WITH MOLDED HOME RUN CABLE			
	FIG		FIG	
PNP SCHEMATIC, FIG 1 	HOME RUN CABLE 5M PUR			
	4	BTY403P-FBP-05	5	BTY803P-FBP-05
NO LED SCHEMATIC, FIG 2 	HOME RUN CABLE 10M PUR			
	4	BTY403P-FBP-10	5	BTY803P-FBP-10
NPN SCHEMATIC, FIG 3 	HOME RUN CABLE 5M PUR			
	4	BTY403N-FBP-05	5	BTY803N-FBP-05
	HOME RUN CABLE 10M PUR			
	4	BTY403N-FBP-10	5	BTY803N-FBP-10

*Use 5 pole male Micro-Change® M12 cordsets page 94 or female/male cordset page 96 to connect to the MPIS port

*Use Micro-Change® M12 splitter assemblies page 299 to connect dual inputs

Specifications



HOME RUN CONNECTOR CABLING

MECHANICAL

INSERT: PBT
 HOUSING: PBT
 RECEPTACLE HOUSING: NICKEL-PLATED BRASS
 ID LABEL: PA
 BLACK, #18 AWG (.75mm²) & #22 AWG (.34mm²), PUR JACKET & PVC CONDUCTOR INSULATION OVER, 42 X .15mm (#18) AND 42 X .10mm (#22) COPPER STRANDING
 OUTSIDE DIAMETER: 0.39" (10.0mm)

ELECTRICAL

VOLTAGE RATING: 10-30V DC
 AMPERAGE: 2A MAX PER PORT, 12A TOTAL PER MPIS UNIT

INDICATING LIGHTS:

GREEN LED-POWER, YELLOW LED-FUNCTION

AVERAGE LED EXPECTANCY:

100,000 HOURS

ENVIRONMENTAL

PROTECTION: IP68, NEMA 6P
 AMBIENT OPERATING TEMPERATURE: -13° TO 194° F (-25° TO 90° C)

SCHEMATICS

PNP – TYPICAL

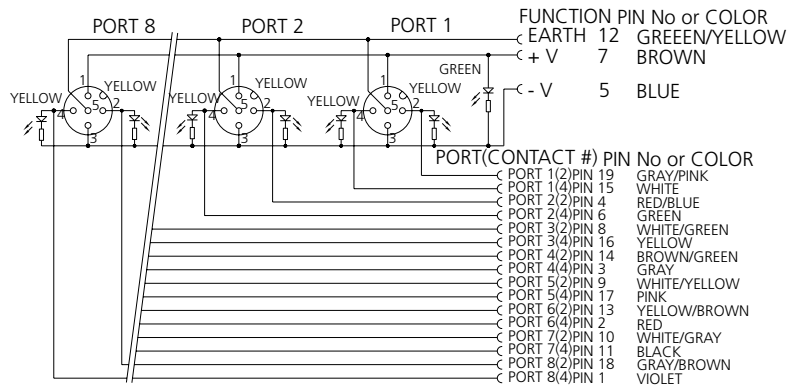


FIG 1

NO LED – TYPICAL

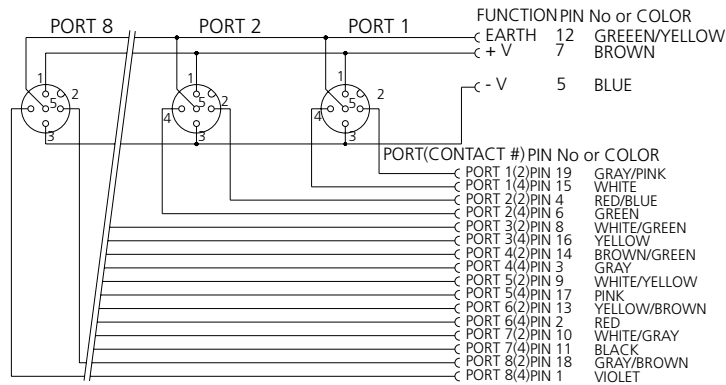


FIG 2

NPN – TYPICAL

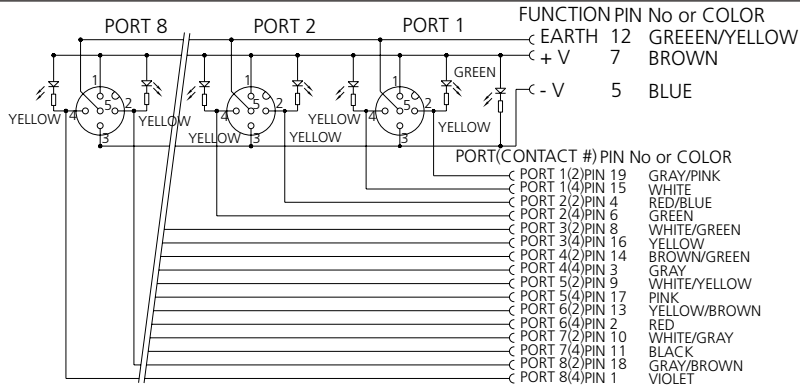


FIG 3

