



# Side Mount, Single Keyway with Mini-Change® Molded with Home Run Connector

Molded home run connector provides flexibility  
Flexibility with 4, 6 and 8 port configurations  
PNP and NPN versions for use with a variety of DC sensors

	4 Port	6 Port	8 Port
<b>HOME RUN CONNECTOR MALE FACE VIEW</b>			
<b>HOME RUN CONNECTOR PINOUTS AND COLOR CODE</b>	1- green- port #2 load 2- white- port #1 load 3- blue- V- 4- gray- port #4 load 5- yellow- port #3 load 6- brown- V+	1- red- port #6 load 2- pink- port #5 load 3- gray- port #4 load 4- yellow- port #3 load 5- green- port #2 load 6- white- port #1 load 7- blue- V- 8- brown- V+	1- black- port #7 load 2- red- port #6 load 3- pink- port #5 load 4- gray- port #4 load 5- yellow- port #3 load 6- green- port #2 load 7- white- port #1 load 8- blue- V- 9- violet- port #8 load 10- brown- V+

FUNCTIONAL WIRING	MPIS SINGLE KEYWAY WITH 12" LONG MOLDED PVC HOME RUN CONNECTOR					
	FIG		FIG		FIG	
<b>PNP SCHEMATIC, FIG 1</b> 	3	803P402	4	803P602	5	803P802
<b>NPN SCHEMATIC, FIG 2</b> 	3	803N402	4	803N602	5	803N802

DOUBLE-ENDED HOME RUN CABLE PVC JACKET #16 CONDUCTORS						
HOME RUN CABLE 5M	6	116020A01M050	7	228020A01M050	8	331020A01M050
HOME RUN CABLE 5M	6	116020A01M100	7	228020A01M100	8	331020A01M100

FEMALE RECEPTACLE WITH 12" LEADS TO ACCEPT HOME RUN CABLE EXTENSION						
FEMALE RECEPTACLE		1R6004A20A120		2R8004A20A120		3R1004A20A120

\* Use (3) pole male Micro-Change tm cordsets page 94 or female/male cordsets page 96 to connect to these MPIS ports  
\* See page 77 or 83 for home run receptacle dimensions and specifications

# Specifications



**HOME RUN CONNECTOR CABLING**

**MECHANICAL**

INSERT: NYLON 6/6  
 HOUSING: NYLON 6/6  
 RECEPTACLE HOUSING: BLACK E-COAT  
 ID LABEL: ABS  
 YELLOW, PVC CABLE JACKET,  
 (1) #18 AWG AND EITHER (5) OR (7)  
 #22 AWG CONTROL CABLING AND  
 PVC CONDUCTOR INSULATION OVER  
 41 X #34 (#18 AWG) AND 26 X #36  
 (#22 AWG), UL LISTED STYLE 2661,  
 CSA CERTIFIED 105°C, 300V  
 0.29" (7.4mm)

OUTSIDE DIAMETER:

**ELECTRICAL**

VOLTAGE RATING: 10-30V DC  
 AMPERAGE: 4A PER PORT,  
 12A TOTAL PER MPIS UNIT  
 INDICATING LIGHTS: GREEN LED-POWER,  
 YELLOW LED-FUNCTION  
 100,000 HOURS

AVERAGE LED EXPECTANCY:

ENVIRONMENTAL

PROTECTION:

IP68, NEMA 6P

AMBIENT OPERATING TEMPERATURE:

-13° TO 194° F (-25° TO 90° C)

**CERTIFICATIONS**

UL: UL RECOGNIZED, FILE NO. E46237  
 CSA: CSA CERTIFIED, FILE NO. LR6837

**SCHEMATICS**

PNP – TYPICAL

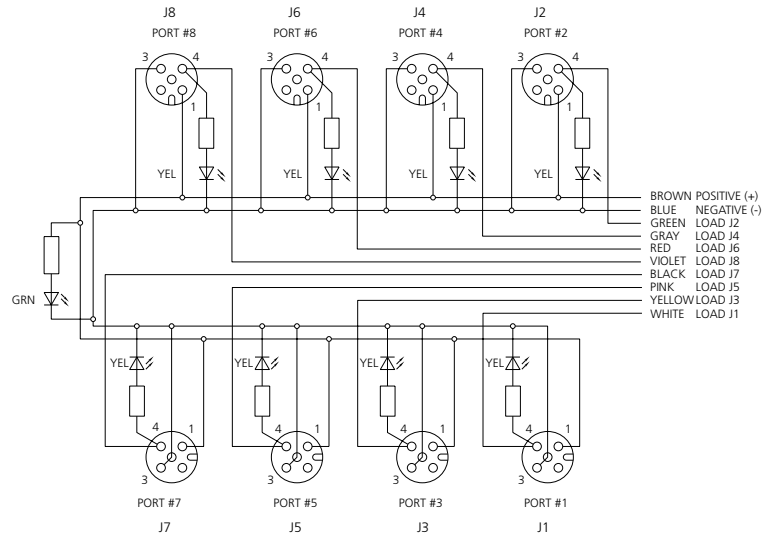


FIG 1

NPN – TYPICAL

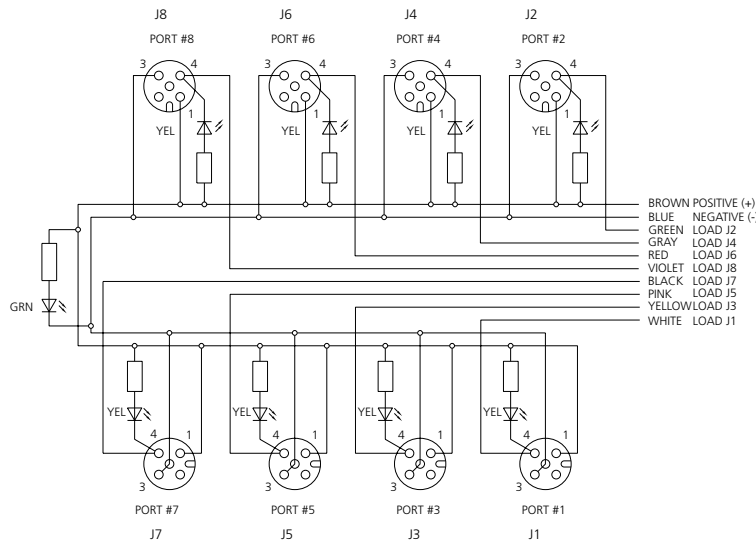


FIG 2

# Side Mount, Single Keyway with Mini-Change® Molded with Home Run Connector

## MECHANICALS

4 PORT

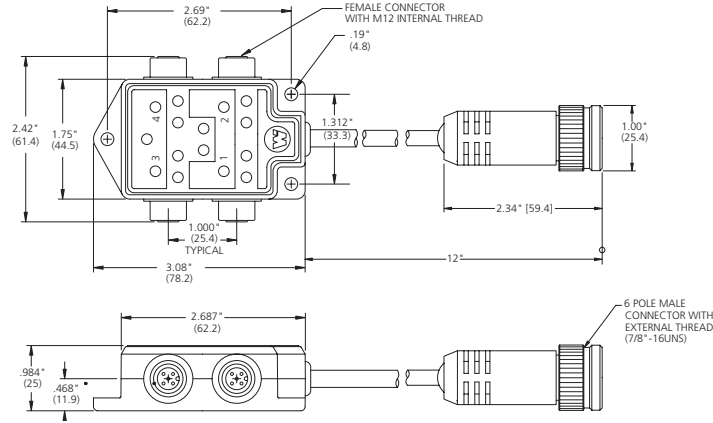


FIG 3

6 PORT

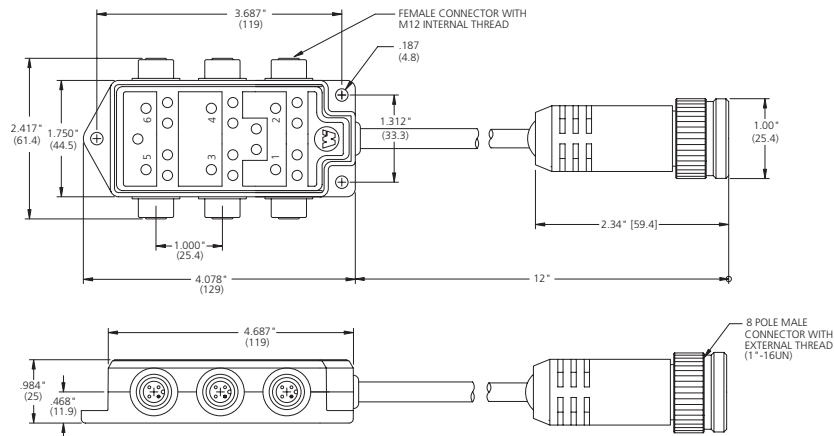


FIG 4

8 PORT

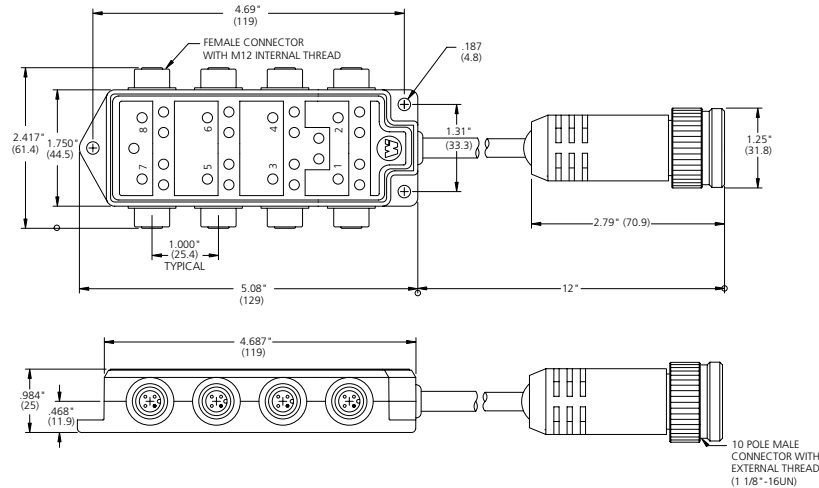


FIG 5

# Side Mount, Single Keyway with Mini-Change® Molded with Home Run Connector

MPIS® Molded JXN Boxes

Micro-Change®

## FEMALE/MALE DOUBLE-ENDED HOME RUN CABLE EXTENSION

4 PORT

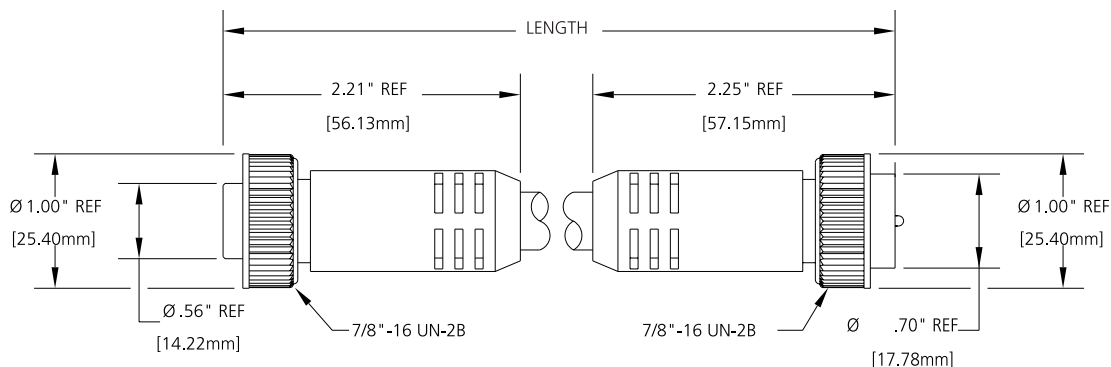


FIG 6

6 PORT

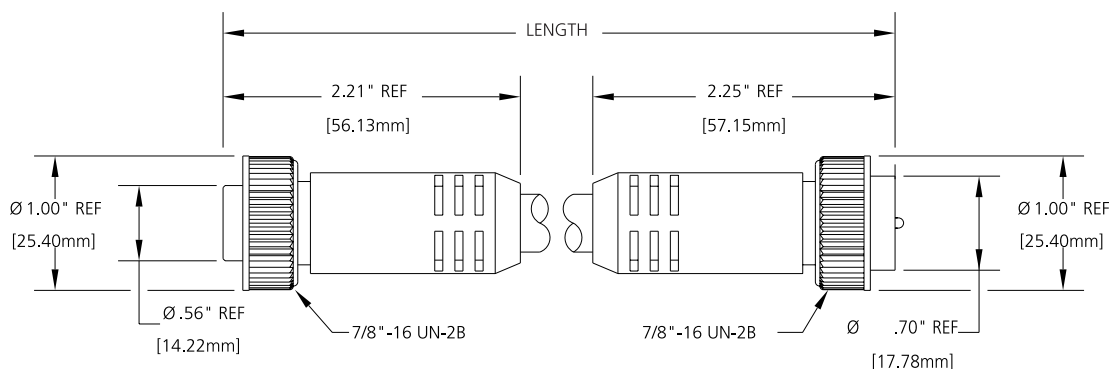


FIG 7

8 PORT

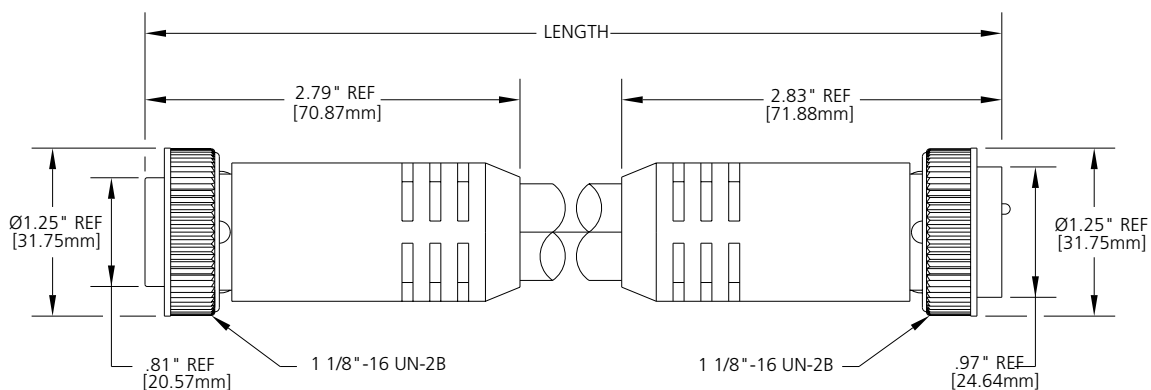


FIG 8

Standard Accessories - marking labels and (2) closure caps for each MPIS  
\* Other Accessories - see page 299 for other accessories