

Side Mount, Single Keyway with Home Run Cable

Simplifies wiring installation, integrated PVC home run cable
Flexibility with 4, 6 and 8 port configurations
PNP and NPN versions for use with a variety of DC sensors

	4 Port	6 Port	8 Port
HOME RUN CABLE COLOR CODE	white- port #1 load green- port #2 load yellow- port #3 load gray- port #4 load blue- V- brown- V+	white- port #1 load green- port #2 load yellow- port #3 load gray- port #4 load pink- port #5 load red- port #6 load blue- V- brown- V+	white- port #1 load green- port #2 load yellow- port #3 load gray- port #4 load pink- port #5 load red- port #6 load black- port #7 load violet- port #8 load blue- V- brown- V+

FUNCTIONAL WIRING	MPIS SINGLE KEYWAY WITH 5 METERS LONG MOLDED HOME RUN CABLE – PVC #18 AWG					
	FIG		FIG		FIG	
PNP SCHEMATIC, FIG 1 	3	803P401	4	803P601	5	803P801
NPN SCHEMATIC, FIG 2 	3	803N401	4	803N601	5	803N801

* Use (3) pole male Micro-Change® M12 cordsets page 94 or female/male cordsets page 96 to connect to these MPIS ports

Specifications



MECHANICAL

INSERT: NYLON 6/6
 HOUSING: NYLON 6/6
 RECEPTACLE HOUSING: BLACK E-COAT
 ID LABEL: ABS
 HOME RUN CONNECTOR CABLING

YELLOW, PVC CABLE JACKET, (1) #18AWG AND EITHER (5) OR (7) #22 AWG CONTROL CABLES AND PVC CONDUCTOR INSULATION OVER 41 X #34 (#18 AWG) AND 26 X #36 (#22 AWG) COPPER STRANDING, UL LISTED STYLE 2661, CSA CERTIFIED 105°C, 300V
 0.29" (7.4mm)

OUTSIDE DIAMETER:

ELECTRICAL

VOLTAGE RATING: 10-30V DC
 AMPERAGE: 4A MAX PER PORT, 12A TOTAL PER MPIS UNIT
 INDICATING LIGHTS: GREEN LED-POWER, YELLOW LED-FUNCTION
 AVERAGE LED EXPECTANCY: 100,000 HOURS

ENVIRONMENTAL

PROTECTION: IP68, NEMA 6P
 AMBIENT OPERATING TEMPERATURE: -13° TO 194° F (-25° TO 90° C)

CERTIFICATIONS

UL: UL RECOGNIZED, FILE NO. E46237
 CSA: CSA CERTIFIED, FILE NO. LR6837

TYPICAL SCHEMATICS

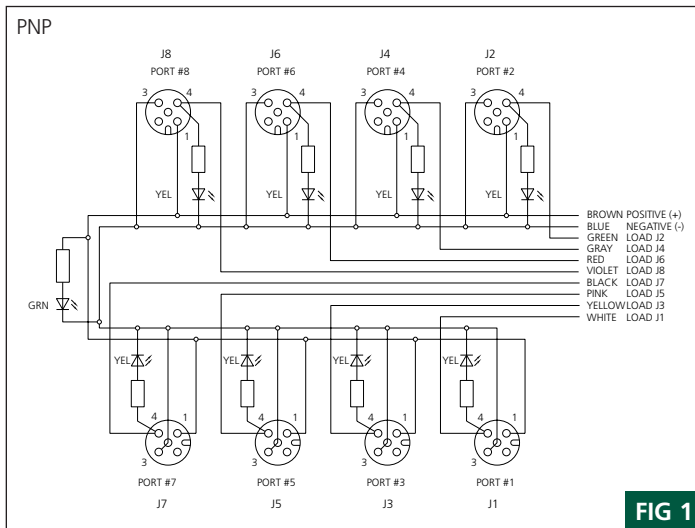


FIG 1

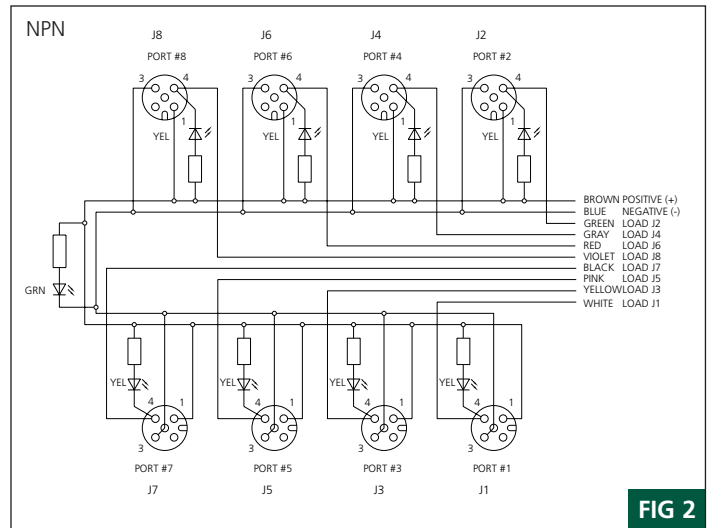


FIG 2

MECHANICALS

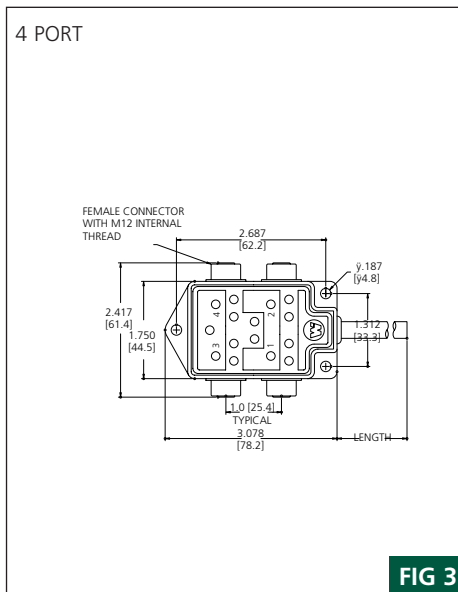


FIG 3

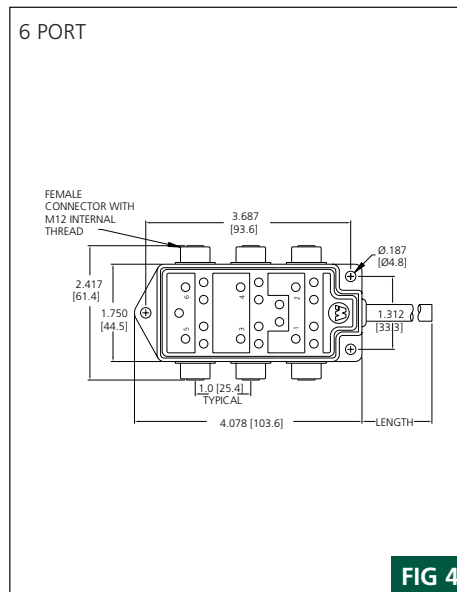


FIG 4

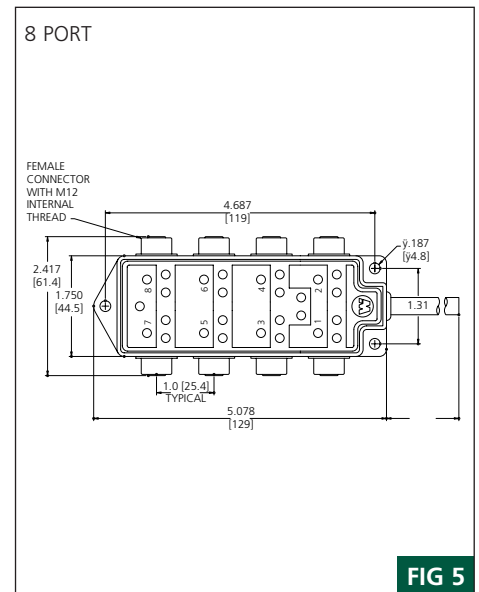


FIG 5