



# Side Mount, Dual Keyway Parallel Wiring with Home Run Connector

Connectorized home run cable connection for maximum flexibility  
Flexibility with 4, 6 and 8 port configurations  
For use with a variety of AC sensors

	<b>4 Port</b> SCHEMATIC, FIG 1	<b>6 Port</b> SCHEMATIC, FIG 2	<b>8 Port</b> SCHEMATIC, FIG 3
<b>FUNCTIONAL WIRING DIAGRAM</b>			
<b>HOME RUN CONNECTOR PINOUTS</b>	1- common (L1) 2- port #1 load 3- gnd 4- port #2 load 5- port #3 load 6- port #4 load	1- port #2 load 2- port #4 load 3- port #5 load 4- port #3 load 5- common (L1) 6- port #1 load 7- gnd 8- port #6 load	1- port #2 load 2- port #4 load 3- port #5 load 4- port #6 load 5- port #7 load 6- port #8 load 7- port #1 load 8- gnd 9- port #3 load 10- common (L2)
<b>HOME RUN CONNECTOR MALE FACE VIEW</b>			

<b>MPIS PARALLEL WIRING SIDE MOUNT DUAL KEYWAY WITH HOME RUN CONNECTOR</b>						
	FIG		FIG		FIG	
<b>MPIS</b>	4	702P401	5	702P601	6	702P801

<b>FEMALE 90° SINGLE-ENDED HOME RUN CABLE</b>						
	FIG		FIG		FIG	
HOME RUN CABLE 6'	7	106001A01F060	7	208001A01F060	9	301000A01F060
HOME RUN CABLE 12'	7	106001A01F120	7	208001A01F120	9	301000A01F120
HOME RUN CABLE 20'	7	106001A01F200	7	208001A01F200	9	301000A01F200

<b>FEMALE 90°/MALE STRAIGHT DOUBLE-ENDED HOME RUN CABLE EXTENSION</b>						
	FIG		FIG		FIG	
HOME RUN CABLE 6'	7	116020A01F060	9	228021A01F060	11	331020A01F060
HOME RUN CABLE 12'	7	116020A01F120	9	228021A01F120	11	331020A01F120
HOME RUN CABLE 20'	7	116020A01F200	9	228021A01F200	11	331020A01F200

<b>FEMALE RECEPTACLE TO ACCEPT HOME RUN CABLE EXTENSIONS WITH 12" LEADS</b>						
	FIG		FIG		FIG	
FEMALE RECEPTACLE	8	1R6004A20A120	8	2R8004A20A120	12	3R1004A20A120

\* Use 3P male Micro-Change® Dual Keyway cordsets page 120 or female/male cordsets page 122 to connect to the MPIS ports

# Specifications



**MECHANICAL**  
 INSERT: NYLON 6/6  
 HOUSING: PBT  
 RECEPTACLE HOUSING: ZINC DIE CAST WITH BLACK EPOXY COAT  
 ID LABEL: ABS  
**HOME RUN CONNECTOR**  
 YELLOW, STOOV PVC CABLE JACKET, #16 AWG/6,8 AND 10 CONDUCTOR AND PVC CONDUCTOR INSULATION OVER 65 X #34 COPPER STRANDING, UL LISTED STOOV 105°C, CSA CERTIFIED ST 105°C, 600 V  
 OUTSIDE DIAMETER:  
 4 PORT 0.54" (13.7mm)  
 6 PORT 0.61" (15.6mm)  
 8 PORT 0.66" (16.8mm)

**ELECTRICAL**  
 VOLTAGE RATING: 120V AC  
 AMPERAGE: 4A PER PORT, 12A TOTAL PER MPIS UNIT

**ENVIRONMENTAL**  
 PROTECTION: IP68, NEMA 6P  
 AMBIENT OPERATING TEMPERATURE: -13° TO 194° F (-25° TO 90° C)

**CERTIFICATIONS**  
 UL: UL RECOGNIZED, FILE NO. E46237  
 CSA: CSA CERTIFIED, FILE NO. LR6837

## SCHEMATICS

4 PORT

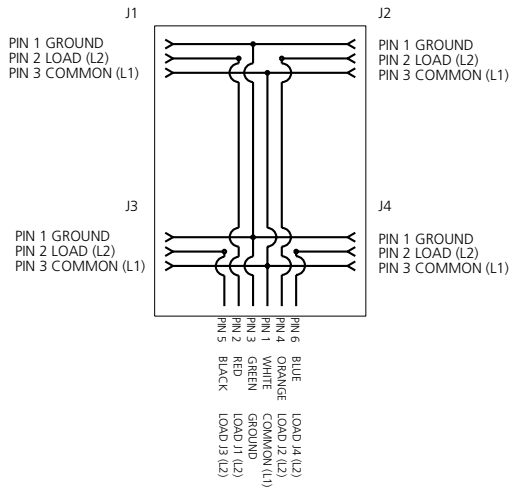


FIG 1

6 PORT

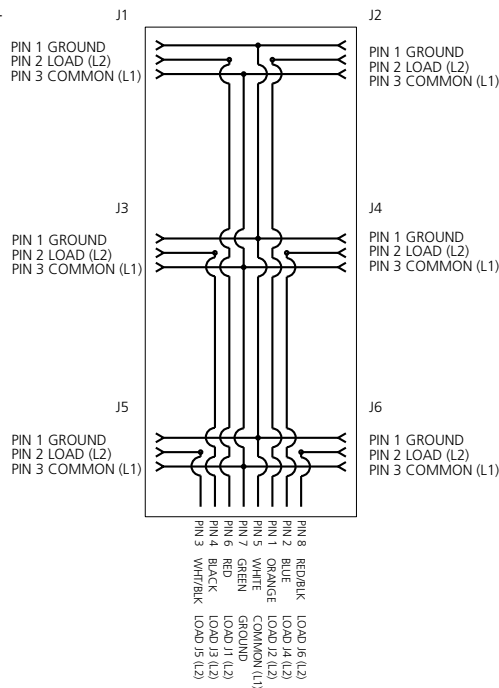


FIG 2

8 PORT

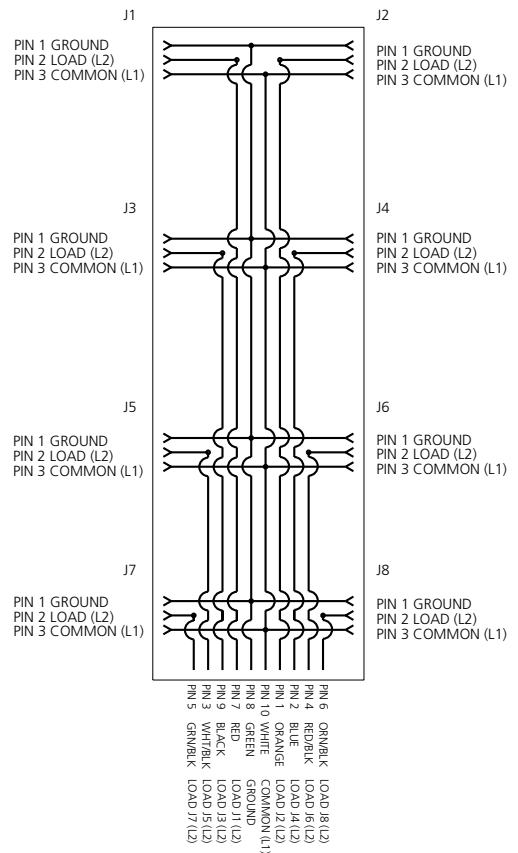
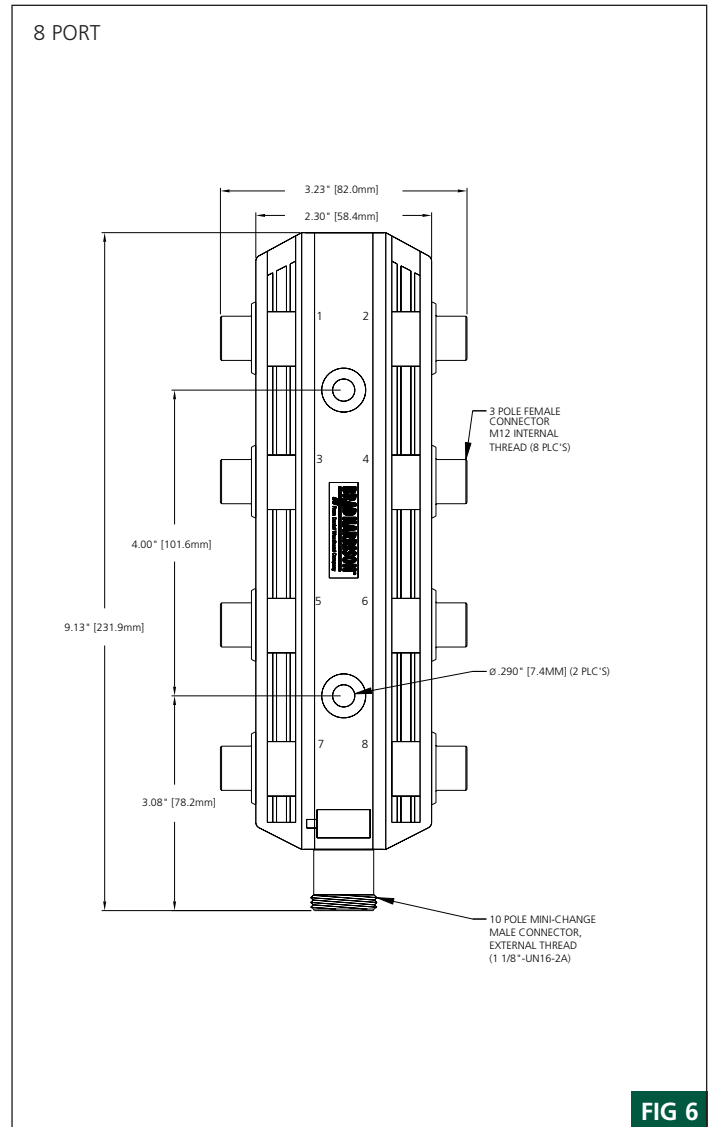
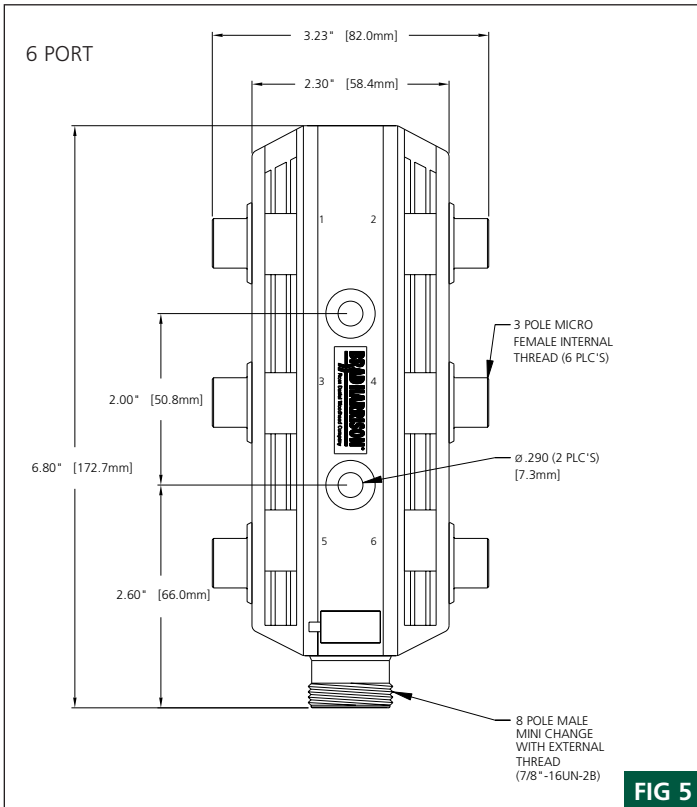
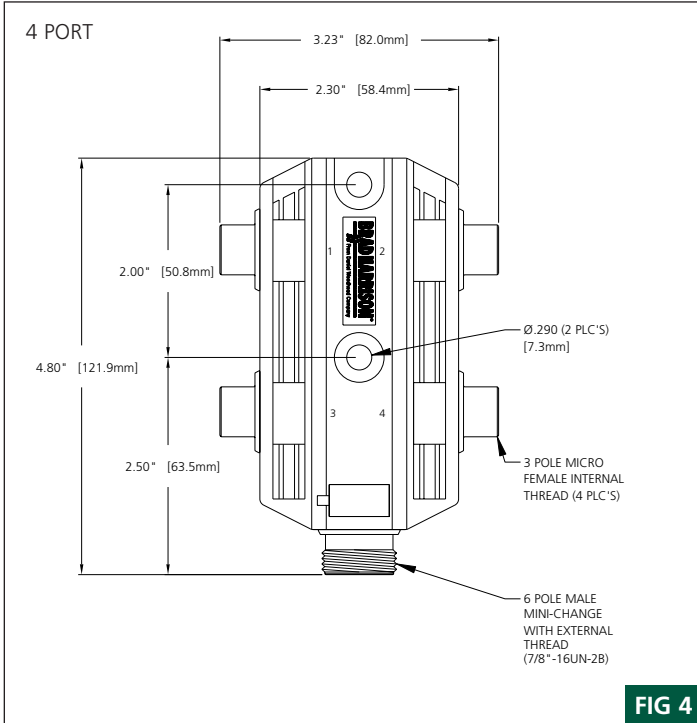


FIG 3

# Side Mount, Dual Keyway Parallel Wiring with Home Run Connector

## MECHANICALS



Note: Overall height - 1.38"

# Side Mount, Dual Keyway Parallel Wiring with Home Run Connector

## HOME RUN CABLE

FEMALE 90° SINGLE-ENDED HOME RUN CABLE  
4 AND 6 PORT

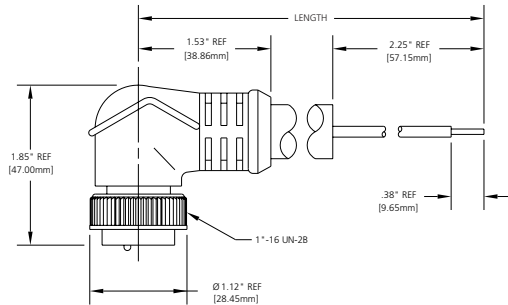


FIG 7

## FEMALE RECEPTACLE FOR HOME RUN

FEMALE 90°/MALE STRAIGHT HOME RUN CABLE EXTENSION  
8 PORT

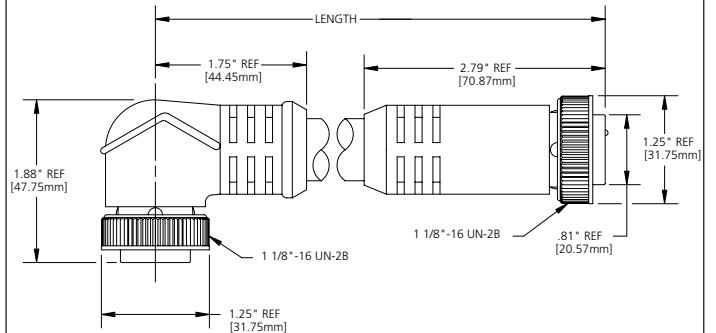


FIG 8

FEMALE 90° SINGLE-ENDED HOME RUN CABLE  
8 PORT

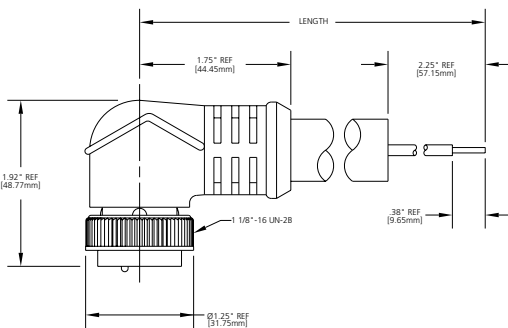


FIG 9

FEMALE RECEPTACLE CABLE EXTENSION  
4 AND 6 PORT

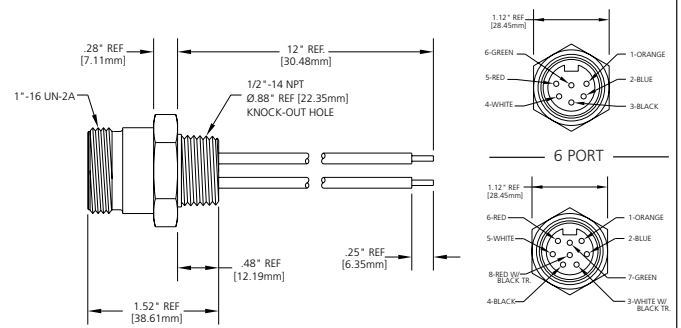


FIG 10

FEMALE 90°/MALE STRAIGHT HOME RUN CABLE EXTENSION  
4 AND 6 PORT

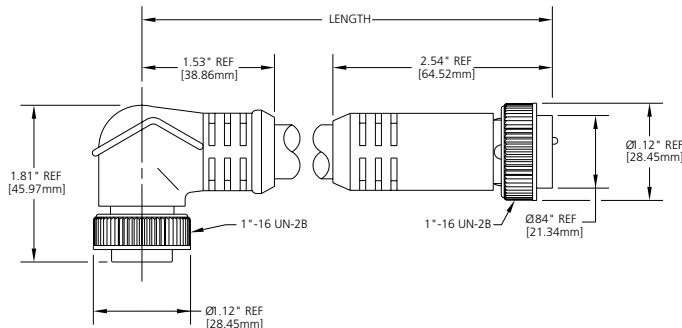


FIG 11

FEMALE RECEPTACLE  
8 PORT

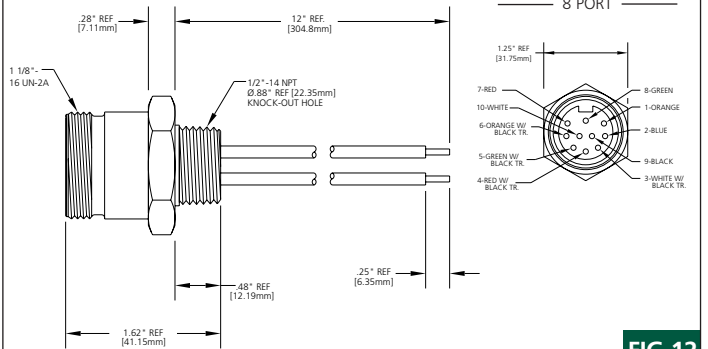


FIG 12