



Side Mount, Dual Keyway Series Wiring with Home Run Connector

Connectorized home run connection for maximum flexibility
 Flexibility with 4 and 8 port configurations
 For use with a variety of AC sensors

	4 Port SCHEMATIC, FIG 1	8 Port SCHEMATIC, FIG 2
FUNCTIONAL WIRING DIAGRAM		
HOME RUN CONNECTOR PINOUTS	1- green -gnd 2- black- load (L2) 3- white- power (L1)	
HOME RUN CONNECTOR MALE FACE VIEW		

MPIS 3P SERIES WIRED WITH HOME RUN CONNECTORS					
	FIG		FIG		
MPIS	3	702P403	4	702P803	

FEMALE SINGLE-ENDED HOME RUN CABLE					
	FIG		FIG		
HOME RUN CABLE 6'	5	103000A01F060	5	103000A01F060	
HOME RUN CABLE 12'	5	103000A01F120	5	103000A01F120	
HOME RUN CABLE 20'	5	103000A01F200	5	103000A01F200	

FEMALE/MALE DOUBLE-ENDED HOME RUN CABLE EXTENSION					
	FIG		FIG		
HOME RUN EXTENSION 6'	6	113020A01F060	6	113020A01F060	
HOME RUN EXTENSION 12'	6	113020A01F120	6	113020A01F120	
HOME RUN EXTENSION 20'	6	113020A01F200	6	113020A01F200	

FEMALE RECEPTACLE TO ACCEPT HOME RUN CABLE EXTENSION WITH 30CM (12") LEADS					
	FIG		FIG		
FEMALE RECEPTACLE	7	1R3004A20A120	7	1R3004A2A120	

* Use 3P male Micro Change® dual keyway cordsets page 120 or female cordset page 122 to connect to these MPIS ports
 * For unused input ports use jumper plugs P/N 70014 found on page 299

Specifications



MECHANICAL
 INSERT : NYLON 6/6
 HOUSING : PBT
 RECEPTACLE HOUSING : ZINC DIE CAST WITH BLACK EPOXY COAT
 ID LABEL: ABS

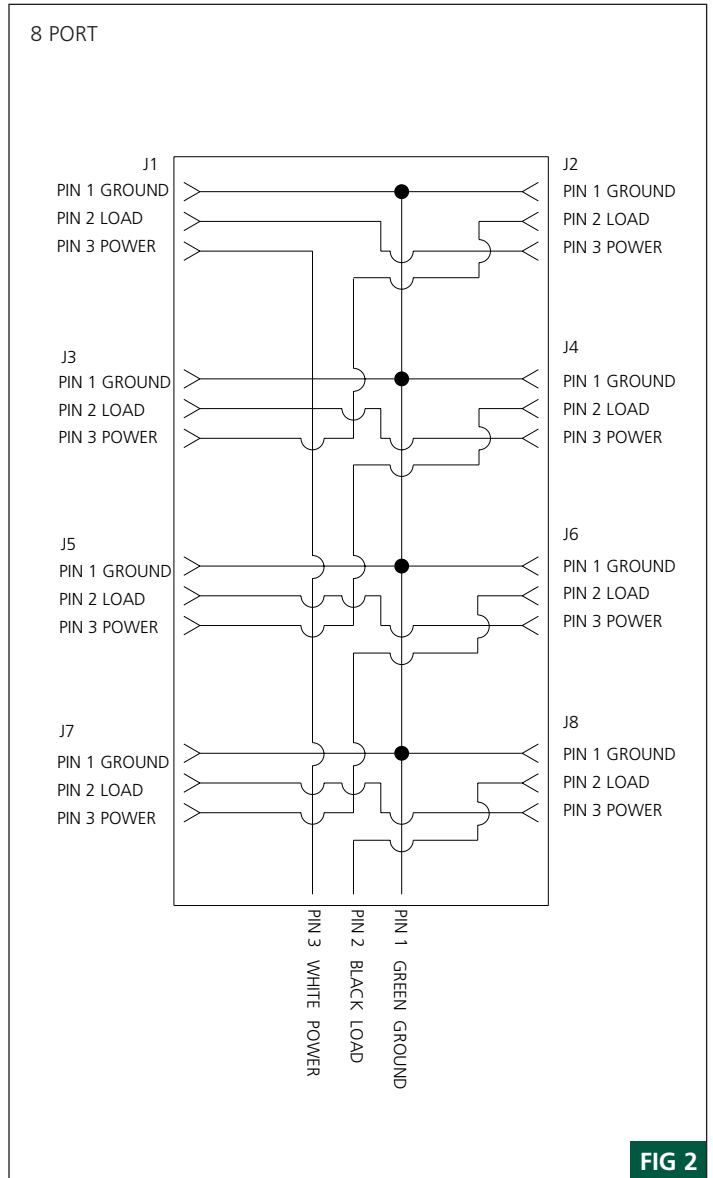
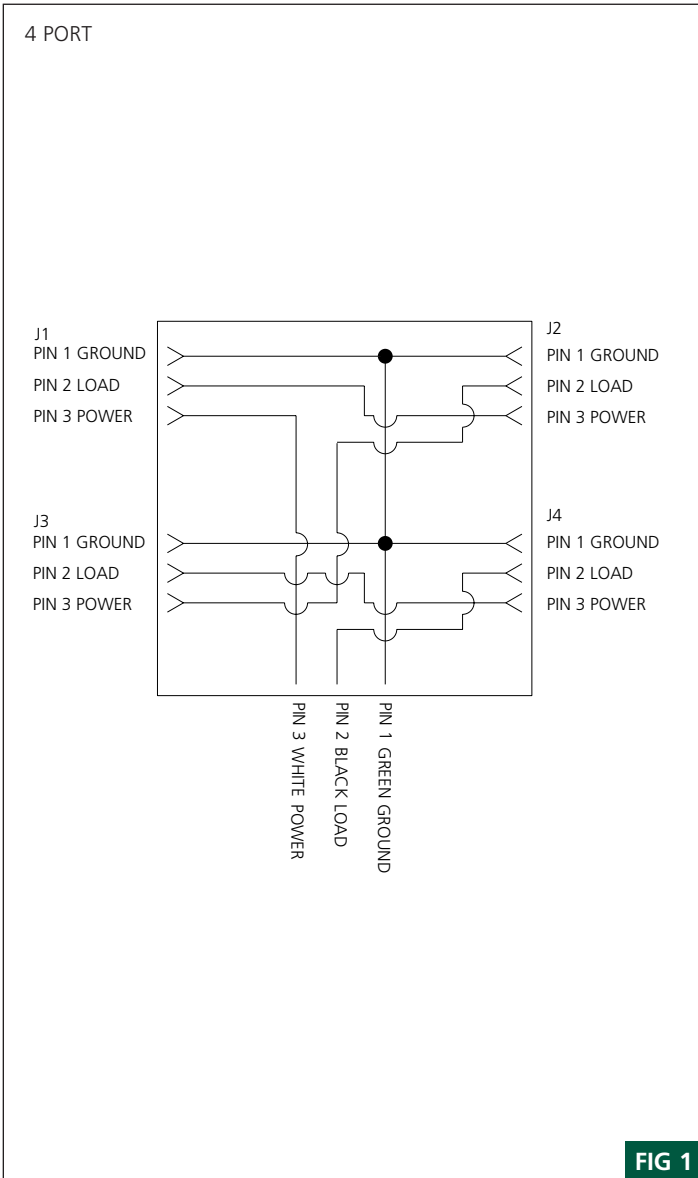
HOME RUN CONNECTOR CABLING
 YELLOW, STOOV PVC CABLE JACKET, #16 AWG AND PVC CONDUCTOR INSULATION OVER 65 X #34 COPPER STRANDING, UL 105°C CERTIFIED 600 V 0.41" (10.4mm)

OUTSIDE DIAMETER:
ELECTRICAL
 VOLTAGE RATING: 120V AC
 AMPERAGE: 4A PER PORT, 12A TOTAL PER MPIS UNIT

ENVIRONMENTAL
 PROTECTION: IP68, NEMA 6P
 AMBIENT OPERATING TEMPERATURE: -13° TO 194° F (-25° TO 90° C)

CERTIFICATIONS
 UL: UL RECOGNIZED, FILE NO. E46237
 CSA: CSA CERTIFIED, FILE NO. LR6837

SCHEMATICS



Side Mount, Dual Keyway Series Wiring with Home Run Connector

MECHANICALS

4 PORT

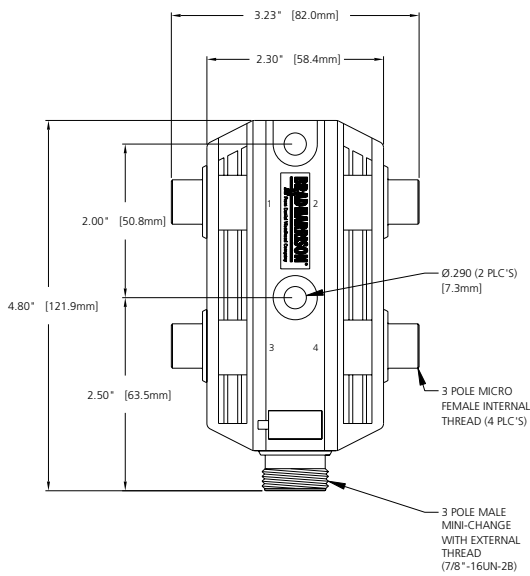


FIG 3

8 PORT

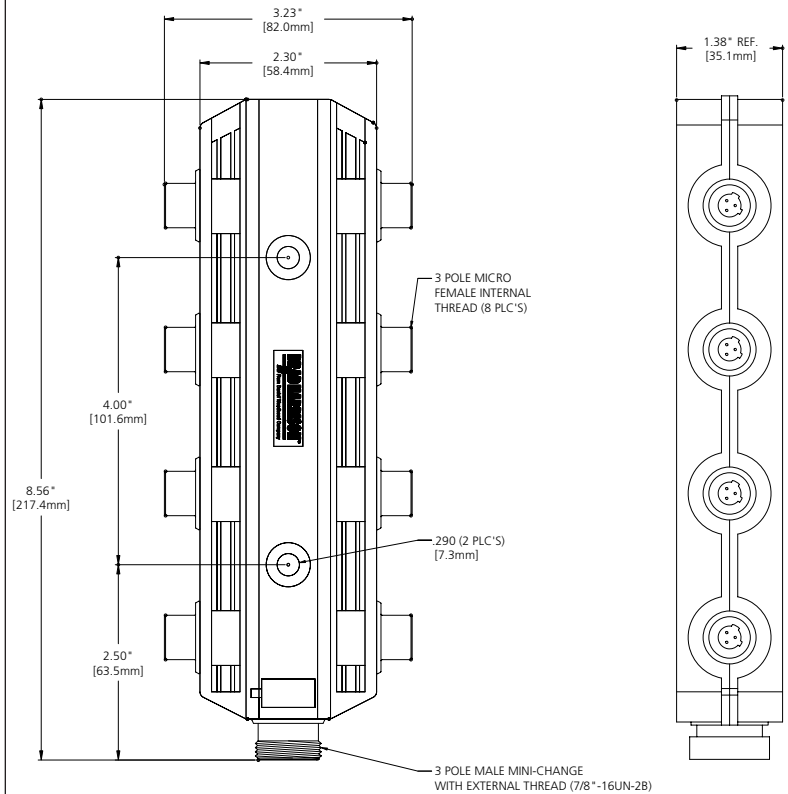


FIG 4

Side Mount, Dual Keyway Series Wiring with Home Run Connector

FEMALE SINGLE-ENDED HOME RUN CABLES

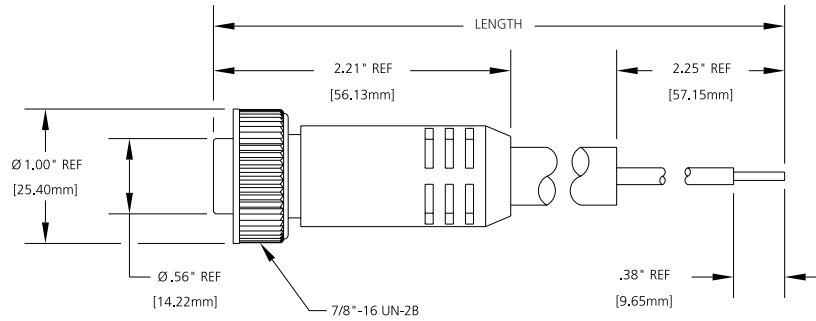


FIG 5

FEMALE/MALE DOUBLE-ENDED HOME RUN CABLE EXTENSION

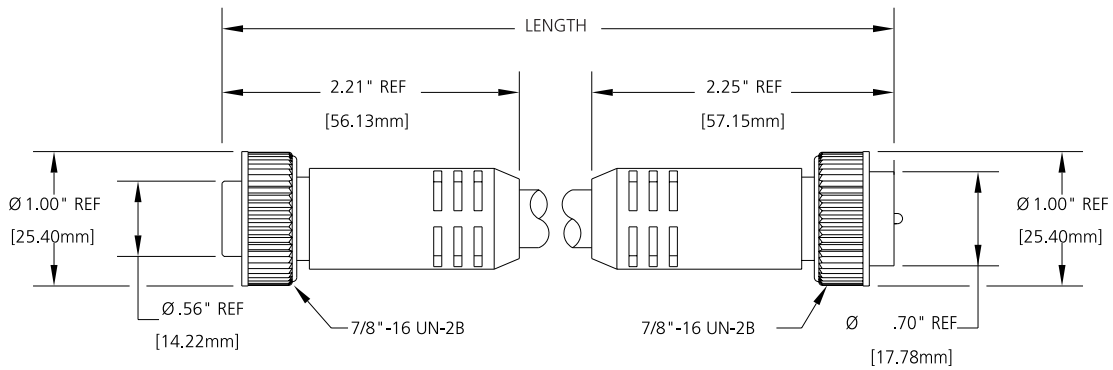


FIG 6

FEMALE RECEPTACLE TO ACCEPT HOME RUN CABLE EXTENSION

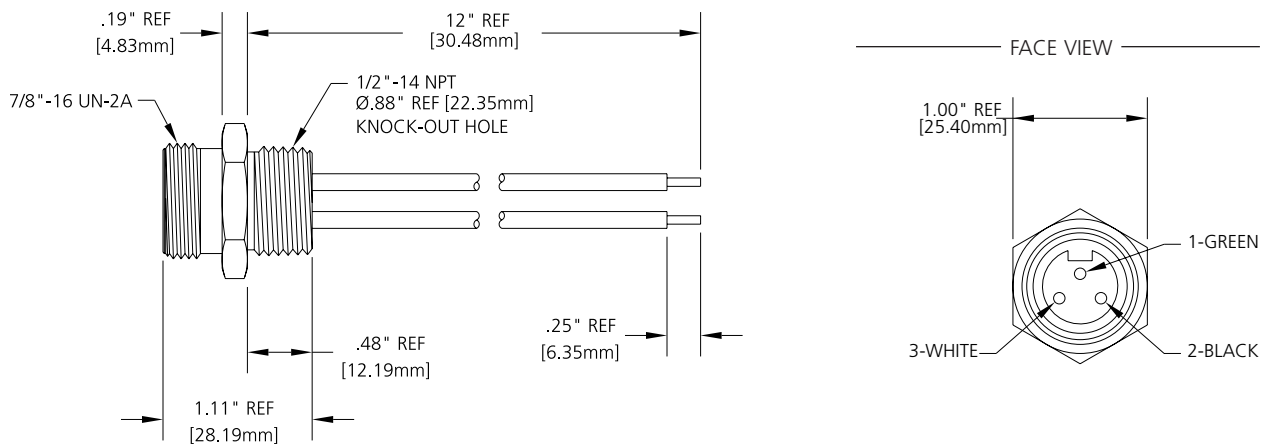


FIG 7