



Control Connectors 3P - 7P

Heavy-duty control connectors, 3P-7P cordsets with black Type SO cord
 Fully shrouded for impact resistance to insure reliability
 Flip covers on receptacles protect contacts and lock plug to prevent disengagement

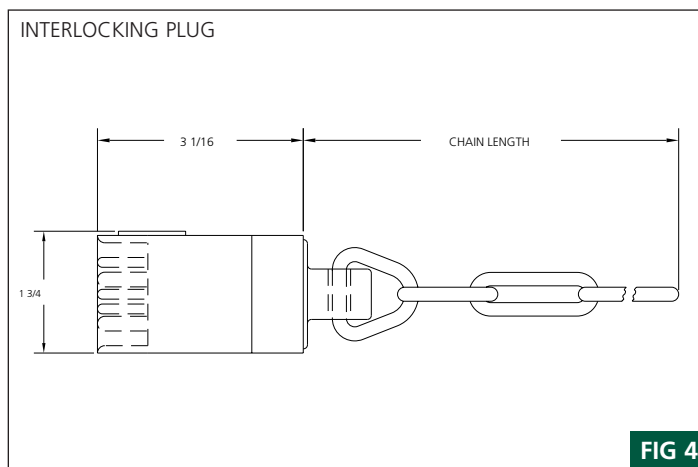
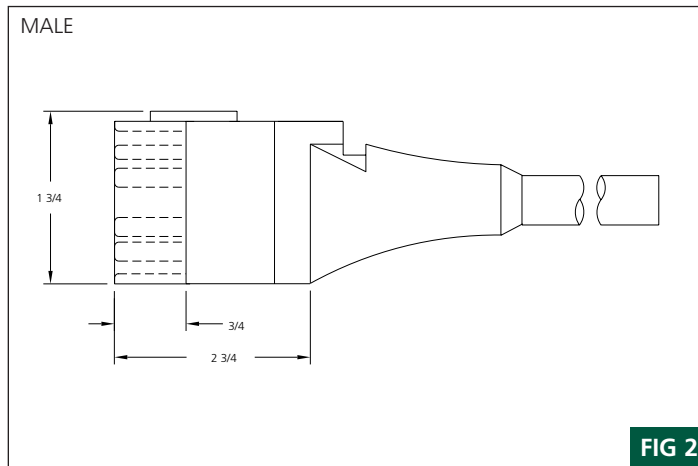
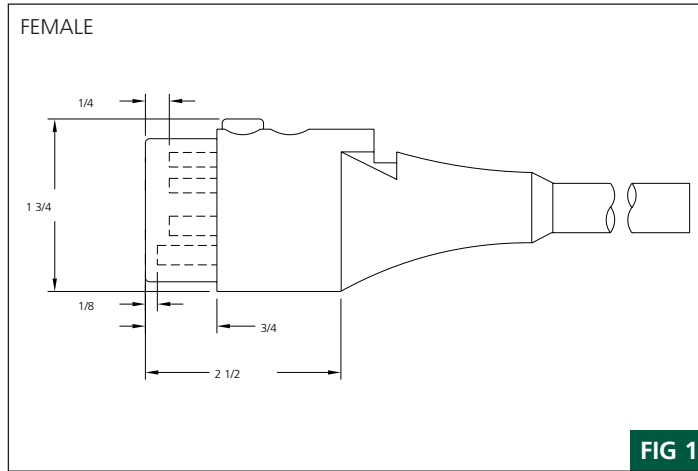
	3P	4P	5P	6P	7P
FEMALE FACE VIEW					
COLOR CODE	1- green 2- black 3- white	1- green 2- black 3- white 4- red X- no connection	1- green 2- orange 3- black 4- white 5- red	1- green 2- orange 3- blue 4- black 5- white 6- red	1- green 2- orange 3- blue 4- white/ black trace 5- black 6- white 7- red
VOLTAGE	600V AC	600V AC	600V AC	600V AC	600V AC
CURRENT/ CONDUCTOR	#12/25A —	#12/20A —	#12/16A —	#12/16A #14/12A	#12/16A #14/12A

FEMALE	FIG	FEMALE PLUGS WITH 600V AC NEOPRENE JACKETED SO CABLE AND MATING RECEPTACLES				
#12 6' CABLE	1	—	—	—	33809	—
#12 12' CABLE	1	—	—	—	33810	34120
#14 6' CABLE	1	—	—	—	33812	34122
#14 12' CABLE	1	—	—	—	—	34123
MATING RECEPTACLE	3	—	—	—	33806	34110

MALE	FIG	MALE PLUGS WITH 600V AC NEOPRENE JACKETED SO CABLE AND MATING RECEPTACLES				
#12 6' CABLE	2	—	33204	—	33804	34109
#12 12' CABLE	2	32903	33203	33502	33802	34106
#14 6' CABLE	2	—	—	—	33807	34111
#14 12' CABLE	2	—	—	—	33805	34132
MATING RECEPTACLE	3	32901	33201	33501	33801	34101

Specifications

PLUG DIMENSIONS



MECHANICAL (PLUG)

PLUG FACE: BLACK NEOPRENE
 SHROUD (MALE ONLY): POLYCARBONATE
 CONTACT: BRASS
 CABLE: BLACK NEOPRENE JACKET, TYPE S0
 UL LISTED, CSA 90° C CERTIFIED

OUTSIDE DIAMETER:

	#14 AWG	#12 AWG
3/C	—	.620" (15.8mm)
4/C	—	.675" (17.2mm)
5/C	—	.740" (18.8mm)
6/C	.730" (18.5mm)	.765" (19.4mm)
7/C	.720" (18.3mm)	.780" (19.8mm)
STRANDING	41 X #30	65 X #30

MECHANICAL (RECEPTACLE)

HOUSING: NEOPRENE
 CONTACT: BRASS
 FLIP LID: NEOPRENE
 TERMINATION: SCREW TYPE
 TERMINAL WIRE SIZES: #16 TO #12 AWG

ELECTRICAL

VOLTAGE RATING: 600V AC
 AMPERAGE: 12A TO 20A

ENVIRONMENTAL

AMBIENT OPERATING TEMP: -4° TO 140° F (-20° TO 60° C)

CERTIFICATIONS

UL: UL RECOGNIZED, FILE NO E46237

RECEPTACLE DIMENSIONS

