



Receptacles

#18 AWG PVC 12-inch leads – IEC color code, epoxy potted
 Anodized aluminum shell with PG 13.5 mounting thread
 Low-resistance contact design with gold/palladium nickel plating

	3P	3P	4P	5P
MALE FACE VIEW				
COLOR CODE	1- green/yellow-gnd 2- brown 3- blue	1- black 2- brown 3- blue	1- black 2- blue 3- brown 4- white	1- black 2- blue 3- green/yellow-gnd 4- brown 5- white
VOLTAGE	300V	300V	300V	300V
CURRENT	10A	7A	5.6A	5.6A
CONDUCTOR	#18-3	#18-3	#18-4	#18-5

MALE	FIG	RECEPTACLES WITH #18 AWG PVC LEADS 12 INCHES LONG			
STRAIGHT	1	1R3D06A25A120	1R3D06A16A120	1R4D06A16A120	1R5D06A25A120
FEMALE	FIG	RECEPTACLES WITH #18 AWG PVC LEADS 12 INCHES LONG			
STRAIGHT	2	1R3D04A25A120	1R3D04A16A120	1R4D04A16A120	1R5D04A25A120

CATALOG OPTIONS

Use the following chart to modify your part's specifications

1R3D06A25A120

CABLE LENGTH

1 METER	M010
2 METER	M020

Specifications



MECHANICAL

SHELL: GRAY ANODIZED ALUMINUM
 INSERT: PVC - UL STD 94 - V0
 CONDUCTORS: #18 AWG, PVC INSULATION OVER
 16 X #30 COPPER STRANDING, 600V,
 UL STYLE 1015, CSA TEW

ELECTRICAL

VOLTAGE RATING: 300 V AC/DC
 AMPERAGE: 2P + GRD - 10A
 3P - 7A
 4P - 5.6A
 5P - 5.6A

ENVIRONMENTAL

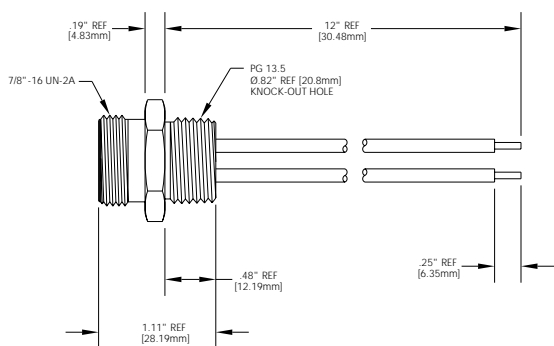
PROTECTION: IP 68, NEMA 6P
 AMBIENT OPERATING TEMP: -4° TO 221° F (-20° TO 105° C)

CERTIFICATIONS

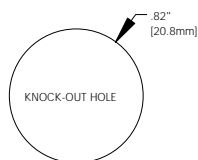
UL: UL RECOGNIZED, FILE NO. E46237
 CSA: CSA CERTIFIED, FILE NO. LR6837

RECEPTACLE DIMENSIONS

MALE STRAIGHT WITH PG 13.5 THREADS



TYPICAL KNOCKOUT



FEMALE FACE VIEW

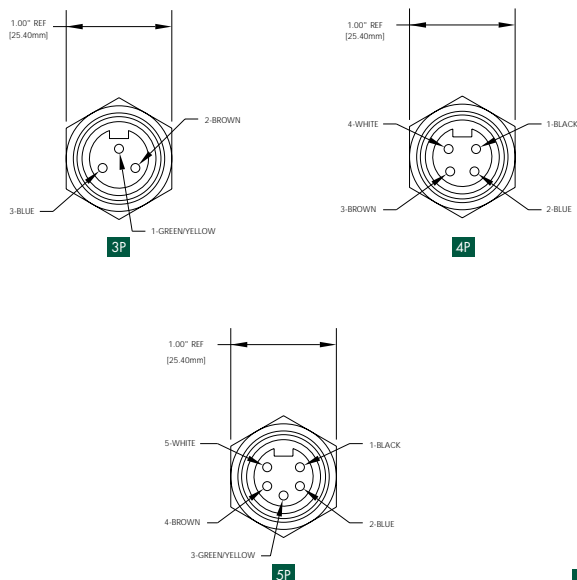
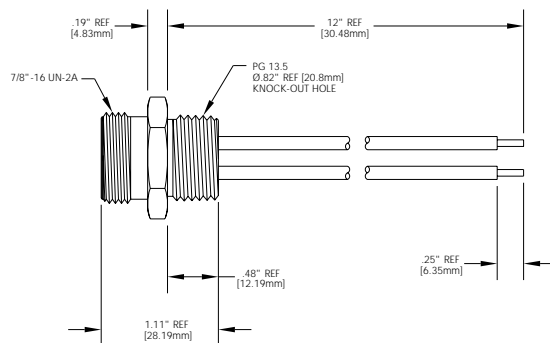


FIG 1

MALE STRAIGHT WITH PG 13.5 THREADS



TYPICAL KNOCKOUT

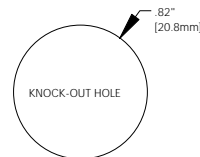


FIG 2