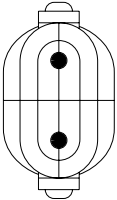
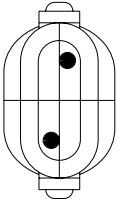
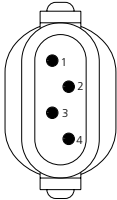




Safety Plugs

Provide electrical lock-outs during machine maintenance
 Color-coded configurations to assist in safety lock out
 Fit standard FS or FD boxes

| | 2P | 2P | 4P |
|----------------|---|---|---|
| MALE FACE VIEW |  |  |  |
| COLOR | yellow | red | orange* |
| VOLTAGE | 600V AC/DC | 600V AC/DC | 600V AC/DC |
| CURRENT | 25A | 25A | 25A |

| | FIG | MALE SHORTING PLUGS | | FIG | |
|----------------------------|-----|---------------------|-------|-----|-------|
| SHORTING PLUGS W/ 1' CHAIN | 1 | 22803 | 22904 | 2 | 43302 |
| SHORTING PLUGS W/ 2' CHAIN | 1 | 22804 | 22905 | 2 | 43303 |
| SHORTING PLUGS W/ 3' CHAIN | 1 | 22805 | 22906 | 2 | 43304 |
| | FIG | FEMALE RECEPTACLES | | FIG | |
| ANGLE RECEPTACLES | 5 | 22801 | 22903 | 6 | 43301 |
| CAST RECEPTACLE ASSEMBLY** | 3 | 22806 | 22902 | 4 | 43305 |

SUB-ASSEMBLIES AND MISCELLANEOUS COMPONENTS

| | | | |
|----------------------------|-------|-------|---|
| INSERT FOR CAST ASSEMBLY | 22802 | 22901 | — |
| INSERT WITH MOUNTING SHELL | 22807 | 22907 | — |

*Available in red as option

** Includes insert, mounting shell and wiring box

Specifications

MECHANICAL (SHORTING PLUG)

BODY: NITRILE/PVC COMPOUND
 CONTACT: BRASS, SOLID
 CHAIN YOKE: ZINC-PLATED STEEL

MECHANICAL (ANGLE RECEPTACLE)

HOUSING & BODY: NITRILE/PVC COMPOUND
 CONTACT: BRASS

MECHANICAL (CAST RECEPTACLE)

HOUSING: ALUMINUM
 CONTACT: BRASS
 INSERT: NITRILE/PVC
 GASKET: NEOPRENE

ELECTRICAL

VOLTAGE RATING: 600V AC/DC
 AMPERAGE: 25A

ENVIRONMENTAL

AMBIENT OPERATING TEMP: -4° TO 194° F (-20° TO 90° C)

CERTIFICATIONS

UL: UL RECOGNIZED, FILE NO E46237
 CSA: CSA CERTIFIED, FILE NO LR6837

RECEPTACLES

SHORTING PLUG - 2 POLE

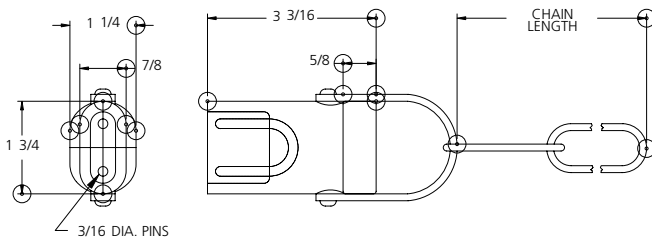


FIG 1

SHORTING PLUG - 4 POLE

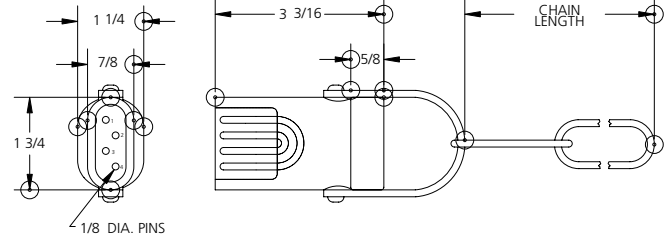


FIG 2

CAST RECEPTACLE ASSEMBLY - 2 POLE

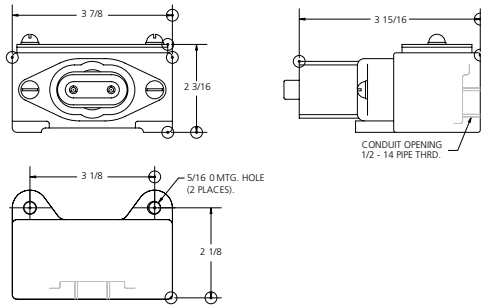


FIG 3

CAST RECEPTACLE ASSEMBLY - 4 POLE

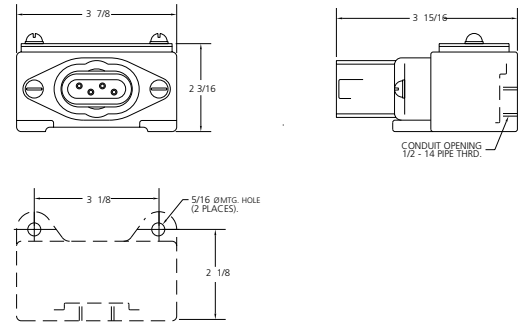


FIG 4

ANGLE RECEPTACLE ASSEMBLY - 2 POLE

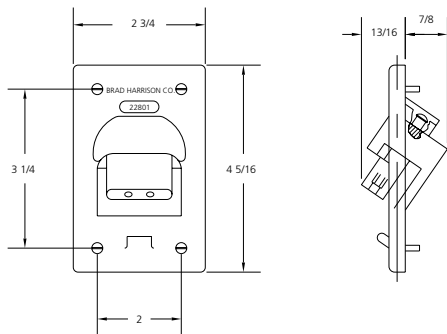


FIG 5

ANGLE RECEPTACLE ASSEMBLY - 4 POLE

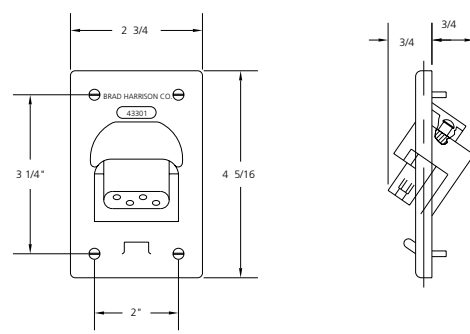


FIG 6