



# Tee Splitter

## Single Keyway M12 & Dual Keyway 1/2" - 20 UNF

#22 AWG yellow PVC cable with metallic braid

Combines two 3-wire devices into one 4P conductor cable

5 lengths available in both single keyway and dual keyway

|                  | 3P                                |  | 3P          |   |
|------------------|-----------------------------------|--|-------------|---|
| FEMALE FACE VIEW |                                   |  |             |   |
| WIRING CODE      | 1- brown<br>2- not use<br>3- blue | 4- J1 black<br>J2 white<br>5- not used | WIRING CODE | 1- green<br>2- J1 red/black trace<br>J2 red<br>3- red/white trace |
| VOLTAGE          | 250V AC/DC                        |  |             |   |
| CURRENT          | 4A                                |  |             |   |
| CONDUCTOR        | #22 - 4                           |  |             |   |

| SINGLE KEYWAY M12 |               |  | DUAL KEYWAY 1/2" - 20 UNF |               |  |
|-------------------|---------------|--|---------------------------|---------------|--|
| LEAD LENGTH       | FIG           | SPLITTER CORDSET<br>WITH #22 AWG YELLOW PVC CABLE WITH BRAID | LEAD LENGTH               | FIG           | SPLITTER CORDSET<br>WITH #22 AWG YELLOW PVC CABLE WITH BRAID |
| 1 METER           | 1<br>AND<br>3 | 80350-001  | 3 FEET                    | 2<br>AND<br>4 | 70355-001  |
| 2 METER           | 1<br>AND<br>3 | 80350-002  | 6 FEET                    | 2<br>AND<br>4 | 70355-002  |
| 4 METER           | 1<br>AND<br>3 | 80350-003  | 12 FEET                   | 2<br>AND<br>4 | 70355-003  |
| 5 METER           | 1<br>AND<br>3 | 80350-004  | 20 FEET                   | 2<br>AND<br>4 | 70355-004  |
| 10 METER          | 1<br>AND<br>3 | 80350-005  | 40 FEET                   | 2<br>AND<br>4 | 70355-005  |

# Specifications

## DIMENSIONS

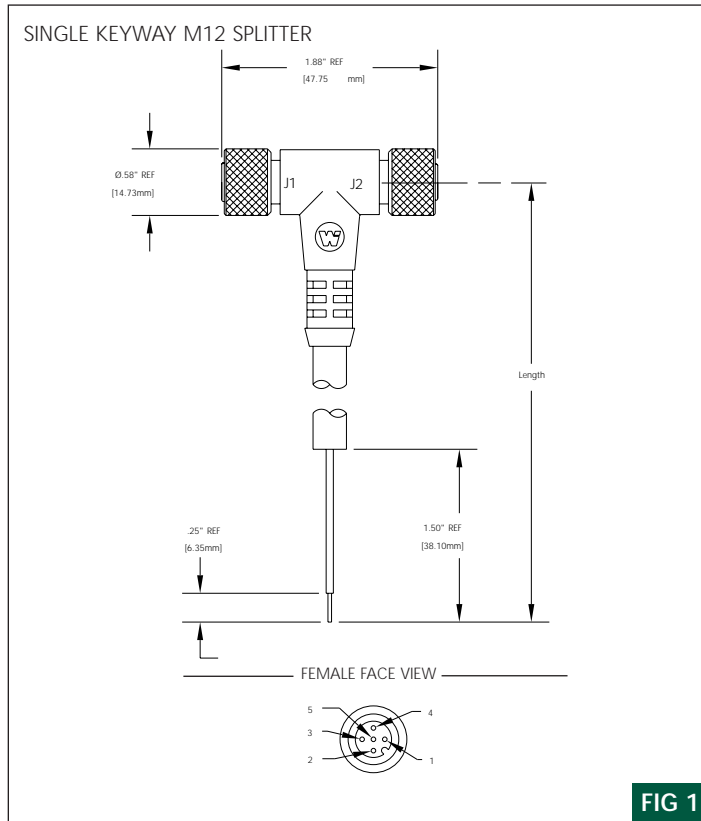


FIG 1

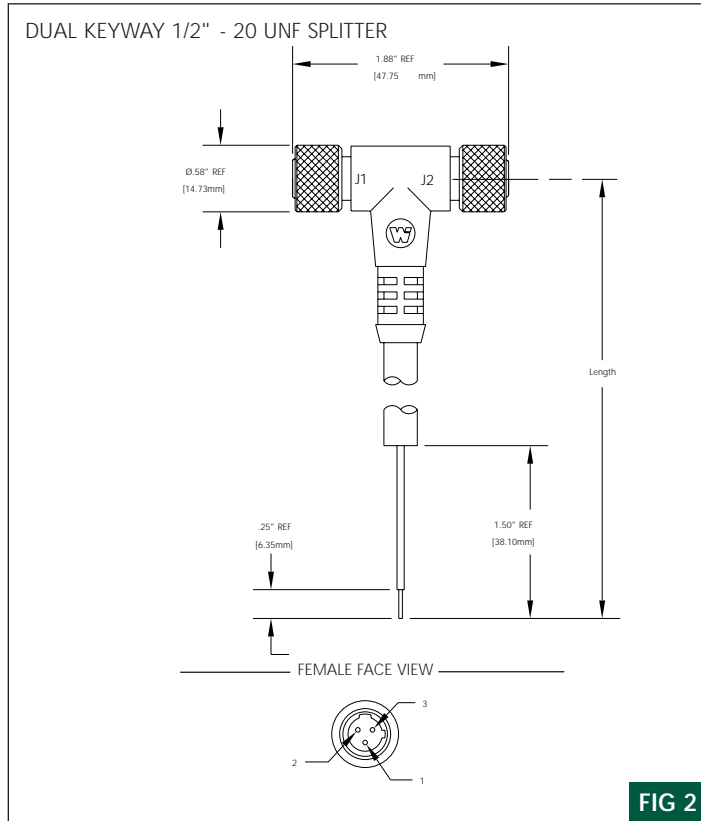


FIG 2



- MECHANICAL**
- CONNECTOR FACE: NYLON 6/6
- MOLDED BODY: PVC
- O-RING: NITRILE RUBBER
- COUPLING NUT: ZINC DIECAST W/ BLACK EPOXY COAT
- CABLE: YELLOW #22 PVC JACKET 80% METALLIC BRAID AND PVC CONDUCTOR INSULATION OVER 26 X #36 COPPER STRANDING, 300V, UL STYLE 2661 CSA AWM I/II A/B 4P - .25" (6.4mm)
- OUTSIDE DIAMETER: 4P CABLE - 4A TOTAL
- ELECTRICAL**
- VOLTAGE RATING: 250 V AC/DC
- AMPERAGE: 4P CABLE - 4A TOTAL
- ENVIRONMENTAL**
- PROTECTION: IP 68, NEMA 6P
- AMBIENT OPERATING TEMP: -4° TO 221° F (-20° TO 105° C)
- CERTIFICATIONS**
- UL: UL LISTED, FILE NO. E152210
- CSA: CSA CERTIFIED, FILE NO LR6837
- SINGLE KEYWAY ONLY

## SCHEMATIC DETAILS

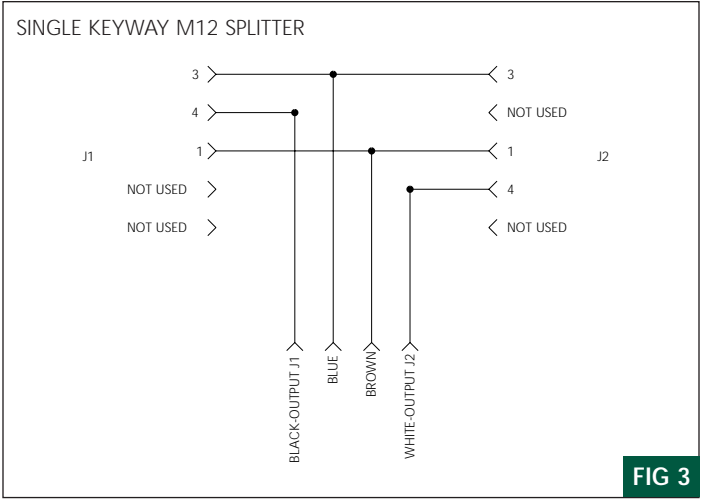


FIG 3

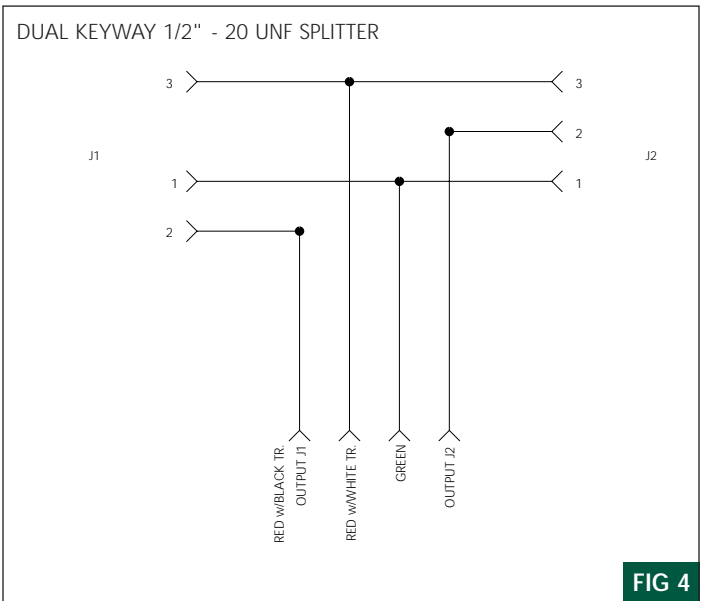


FIG 4