



Solid Body Splitter

Single Keyway M12

Rugged yellow or black PVC solid body design
 Compact design saves space
 Choice of two wiring schematics

NEW	3P		4P	
FEMALE FACE VIEW			MALE FACE VIEW	
PIN SCHEMATIC	1- v+ 2- not used 3- v-	4- output 5- not used	PIN SCHEMATIC	1- v+ 2- output 2 3- v- 4- output 1
VOLTAGE	250V AC/DC			
CURRENT	4A			

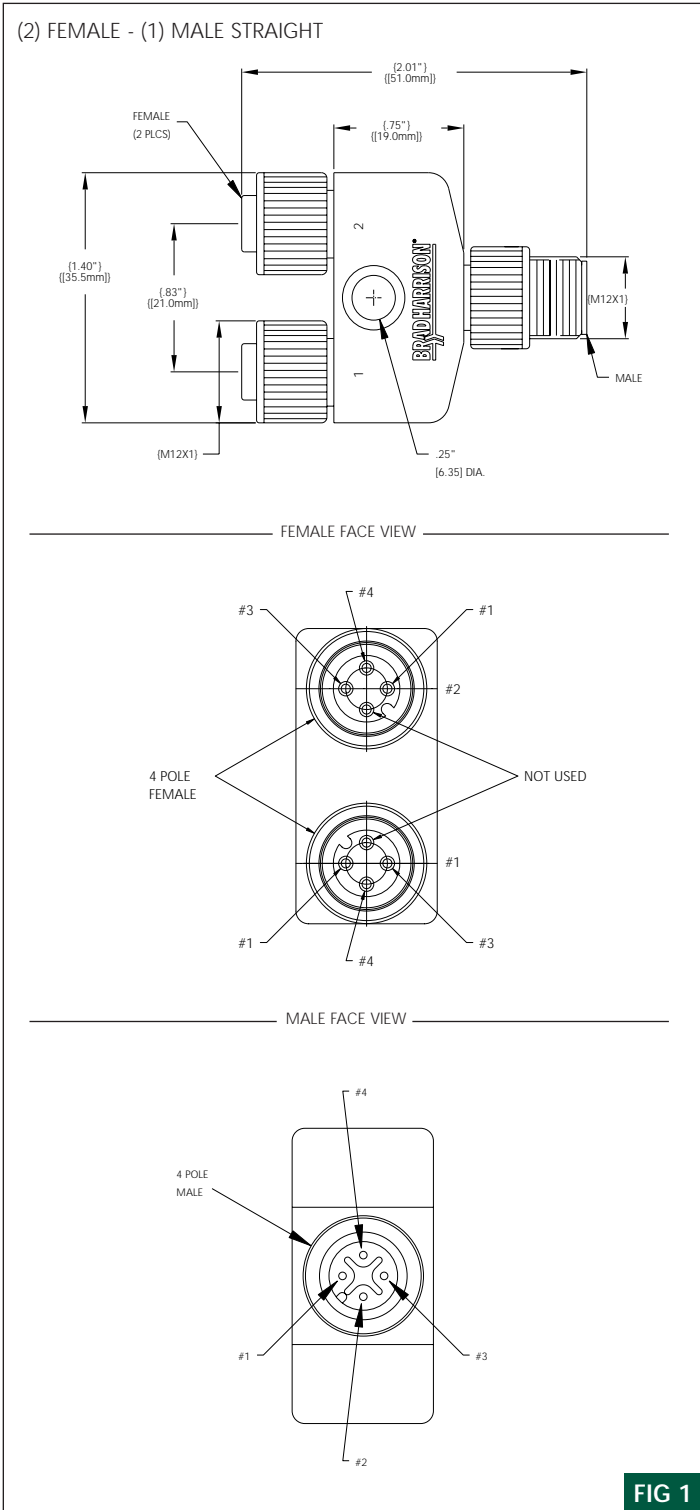
CONNECTIONS	FIG	PVC BODY COLOR	SOLID BODY SPLITTER WITH (2) 3P FEMALE CONNECT AND (1) 4P MALE CONNECTION
MALE M12 & (2) FEMALE M12	1 AND 2	Yellow	81594
MALE M12 & (2) FEMALE M12	1 AND 3	Black	81589

Specifications



- MECHANICAL**
- CONNECTOR FACE: NYLON 6/6
- SPLITTER BODY: PVC
- O-RING: NITRILE RUBBER
- COUPLING NUT: ZINC DIECAST W/ BLACK EPOXY COAT
- ELECTRICAL**
- VOLTAGE RATING: 250V AC/DC
- AMPERAGE: 4P - 4A TOTAL
- ENVIRONMENTAL**
- PROTECTION: IP 68, NEMA 6P
- AMBIENT OPERATING TEMP: -4° TO 221° F (-20° TO 105° C)
- CERTIFICATIONS**
- CSA: CSA CERTIFIED, FILE NO LR6837

DIMENSIONS



SCHEMATIC DETAILS

