

8P



# Single-Ended Cordsets

## Single Keyway M12

#24 AWG black PUR cable  
 Oil- and abrasion-resistant polyurethane jacket  
 High-density pin count in standard M12 quick-disconnect

<b>NEW</b>	<b>8P</b>	
FACE VIEW	FEMALE	MALE
COLOR CODE	1- white 2- brown 3- green 4- yellow	5- gray 6- pink 7- blue 8- red
VOLTAGE	30V AC / 36V DC	
CURRENT	4A	
CONDUCTOR	#24-8	

FEMALE	FIG	SINGLE-ENDED CORDSETS WITH #24 AWG PUR CABLE 2 METERS
STRAIGHT	1	808000P02M020
90°	2	808001P02M020
MATING RECEPTACLE	4	8R8J36E03C3003
MALE	FIG	SINGLE-ENDED CORDSETS WITH #24 AWG PUR CABLE 2 METERS
STRAIGHT	3	808006P02M020
MATING RECEPTACLE	5	8R8J30E03C3003

### CATALOG OPTIONS

Use the following chart to modify your part's specifications

808000P02M020

**CABLE LENGTH**

4 METER	040
5 METER	050

# Specifications



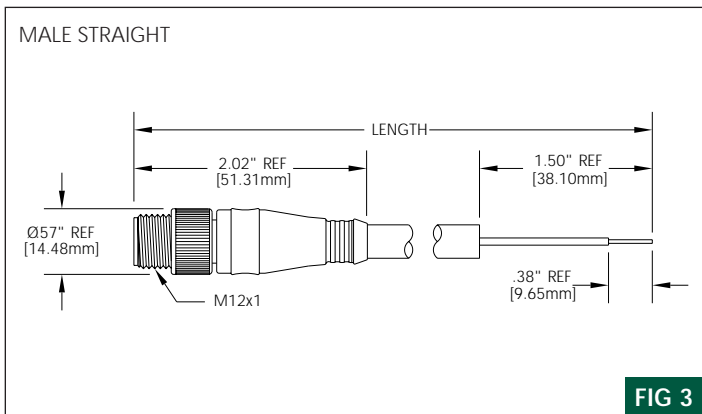
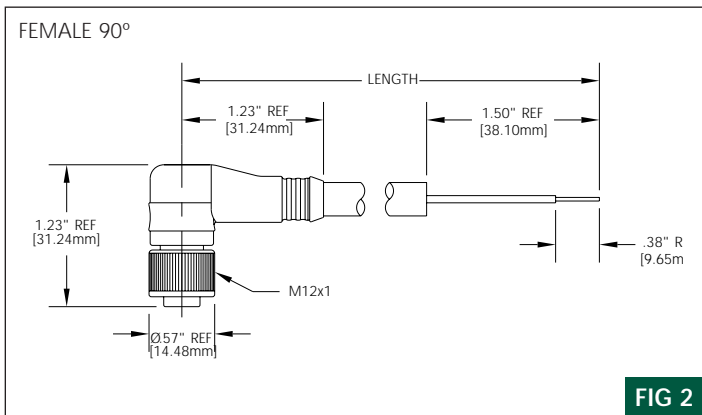
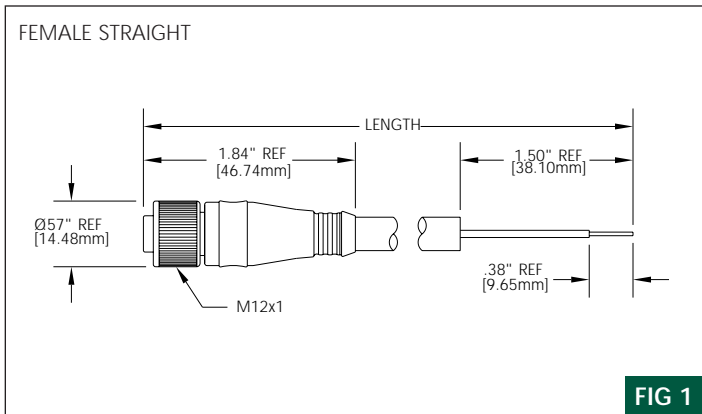
**MECHANICAL**  
 CONNECTOR FACE: POLYAMIDE (NYLON)  
 MOLDED BODY: PVC  
 O-RING: VITON  
 COUPLING NUT: ZINC DIECAST W/ BLACK EPOXY COAT  
 CABLE: BLACK #24 AWG POLYURETHANE JACKET AND PVC CONDUCTOR INSULATION, 300V

**OUTSIDE DIAMETER:** 8P - .29" (7.4mm)

**ELECTRICAL**  
 VOLTAGE RATING: 30V AC; 36V DC  
 AMPERAGE: 8P - 4A

**ENVIRONMENTAL**  
 PROTECTION: IP 68, NEMA 6P  
 AMBIENT OPERATING TEMP: -4° TO 185° F (-20° TO 85°C)

## CONNECTOR DIMENSIONS



## RECEPTACLE DIMENSIONS

