



# In-Line Splitter Single Keyway M12

#18 AWG yellow thermoplastic (TPE) elastomer cable  
Combines two 3-wire DC sensors into one 4P male receptacle  
Oil-, chemical- and weld slag-resistant TPE jacket

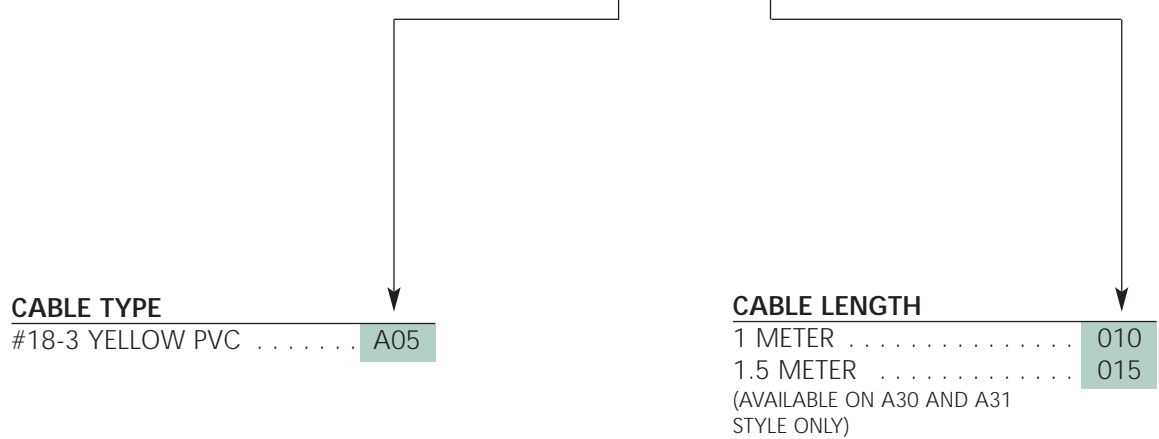
	3P		4P	
FEMALE FACE VIEW				
PIN SCHEMATIC	1- v+ 2- not used 3- v-  4- output 5- not used		PIN SCHEMATIC 1- v+ 2- output B  3- v- 4- output A	
VOLTAGE	250 V AC/DC			
CURRENT	4A			
CONDUCTOR	#18-3		4P Male M12 Connection	

FEMALE	FIG	SPLITTER CORDSET WITH (2) FEMALE LEADS #18 AWG TPE CABLE .3M (11.8") LONG
STRAIGHT	1 AND 5	884A30K03M003
90°	2 AND 5	884A31K03M003
FEMALE	FIG	SPLITTER CORDSET WITH (2) FEMALE LEADS #18 AWG YELLOW TPE CABLE (1) 7" LONG A OUTPUT (1) 9" LONG B OUTPUT
STRAIGHT	3 AND 5	884B30K03A090
90°	4 AND 5	884B31K03A090

## CATALOG OPTIONS

Use the following chart to modify your part's specifications

# 884A30K03M003



# Specifications

## SPLITTER DIMENSIONS

(2) FEMALE STRAIGHT/(1) MALE STRAIGHT

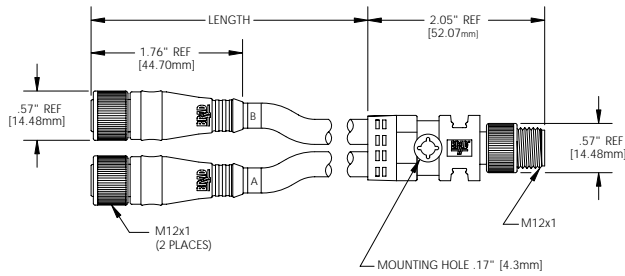


FIG 1

(2) FEMALE 90°/ (1) MALE STRAIGHT

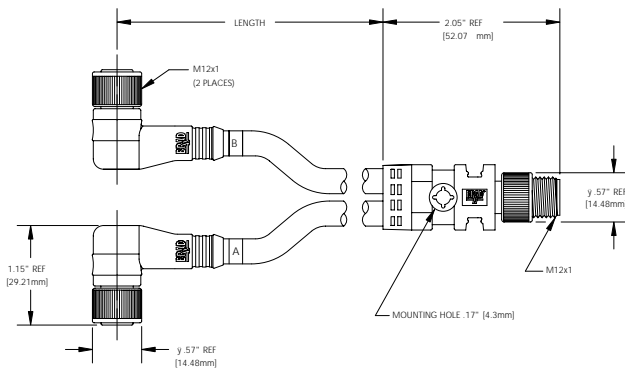


FIG 2

(2) FEMALE STRAIGHT/  
(1) MALE STRAIGHT

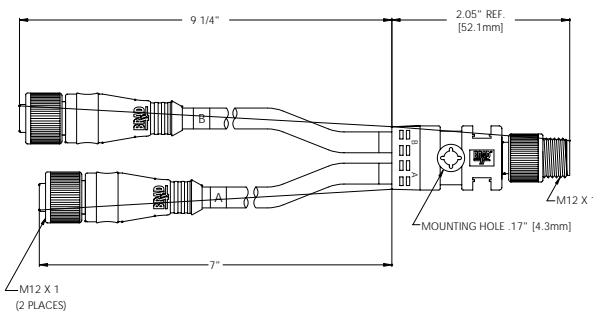


FIG 3



- MECHANICAL**  
 CONNECTOR FACE: NYLON 6/6  
 PLUG MOLDED BODY: PVC  
 SPLITTER BODY: PVC  
 O-RING: NITRILE RUBBER  
 COUPLING NUT: ZINC DIECAST W/ BLACK EPOXY COAT  
 CABLE: YELLOW #18 AWG TPE JACKET AND PVC CONDUCTOR INSULATION OVER 41 X #34 COPPER STRANDING, 300V, UL STYLE 2661, CSA AWM I/II A/B 4P - .28" (7.1mm)
- OUTSIDE DIAMETER:**  
**ELECTRICAL**  
 VOLTAGE RATING: 250V AC/DC  
 AMPERAGE: 4P - 4A TOTAL
- ENVIRONMENTAL**  
 PROTECTION: IP 68, NEMA 6P  
 AMBIENT OPERATING TEMP: -4° TO 221° F (-20° TO 105° C)
- CERTIFICATIONS**  
 UL: UL LISTED, FILE NO. E152210

(2) FEMALE 90°/(1) MALE STRAIGHT

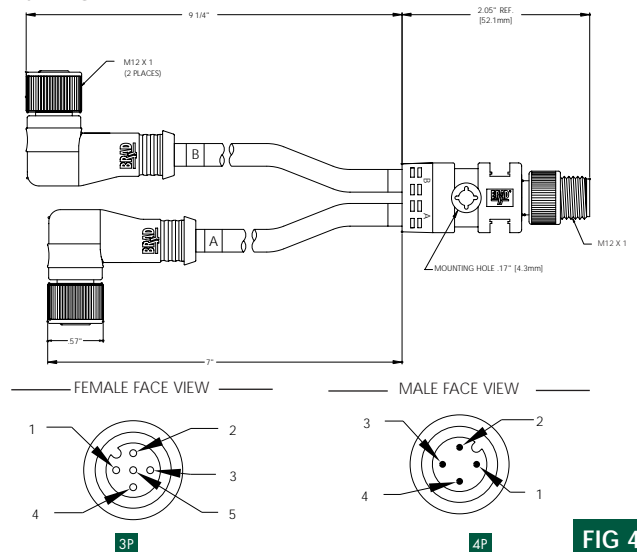


FIG 4

## SCHEMATIC DETAILS

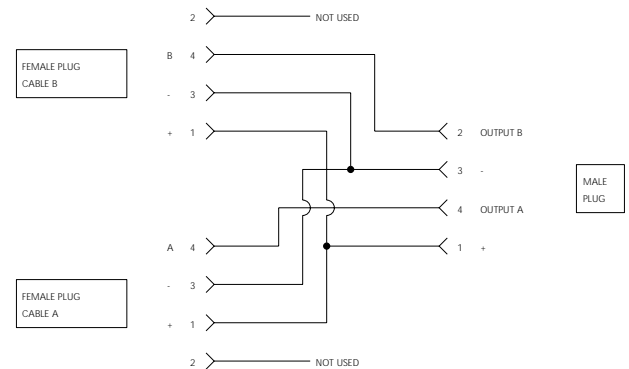


FIG 5