



In-Line Splitters

Single Keyway M12

#22 AWG yellow PVC cable
 Combines two 3-wire DC sensors into one 4P quick-disconnect cable

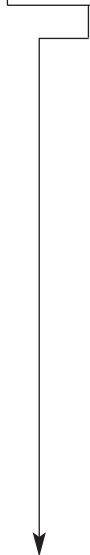
	3P		4P	
FEMALE FACE VIEW				
PIN SCHEMATIC	1- V+ 2- not used	3- V- 4- output 5- not used	PIN SCHEMATIC	1- V+ 2- output 2 3- V- 4- output 1
VOLTAGE	250V AC/DC			
CURRENT	4A			
CONDUCTOR	#22-3		#22-4	

FEMALE	FIG	SPLITTER CORDSETS WITH 2 FEMALE WITH 2 METER CABLE; 1 MALE WITH 3 METER CABLE
STRAIGHT	1 AND 2	884F30A09M3M2

CATALOG OPTIONS

Use the following chart to modify your part's specifications:

884F30A09**M3M2**



OPTIONS

- 2 FEMALE W/ 2 METER CABLE; 1 MALE W/ 4 METER CABLE . . . M4M2
- 2 FEMALE W/ 3 METER CABLE; 1 MALE W/ 4 METER CABLE . . . M4M3
- 2 FEMALE W/ 2 METER CABLE; 1 MALE W/ 8 METER CABLE . . . M8M2

Specifications



MECHANICAL	
CONNECTOR FACE:	NYLON 6/6
PLUG MOLDED BODY:	PVC
SPLITTER BODY:	PVC
O-RING:	NITRILE RUBBER
COUPLING NUT:	ZINC DIECAST W/ BLACK EPOXY COAT
CABLE:	YELLOW #22 AWG PVC JACKET AND PVC CONDUCTOR INSULATION OVER 26 X #36 COPPER STRANDING, 300V, UL STYLE 2661, CSA AWM I/II A/B
OUTSIDE DIAMETER:	3P - .20" (5.1mm) 4P - .21" (5.3mm)
ELECTRICAL	
VOLTAGE RATING:	250V AC/DC
AMPERAGE:	4P - 4A TOTAL
ENVIRONMENTAL	
PROTECTION:	IP 68, NEMA 6P
AMBIENT OPERATING TEMP:	-4° TO 221° F (-20° TO 105° C)
CERTIFICATIONS	
UL:	UL LISTED, FILE NO. E152210

SPLITTER DIMENSIONS

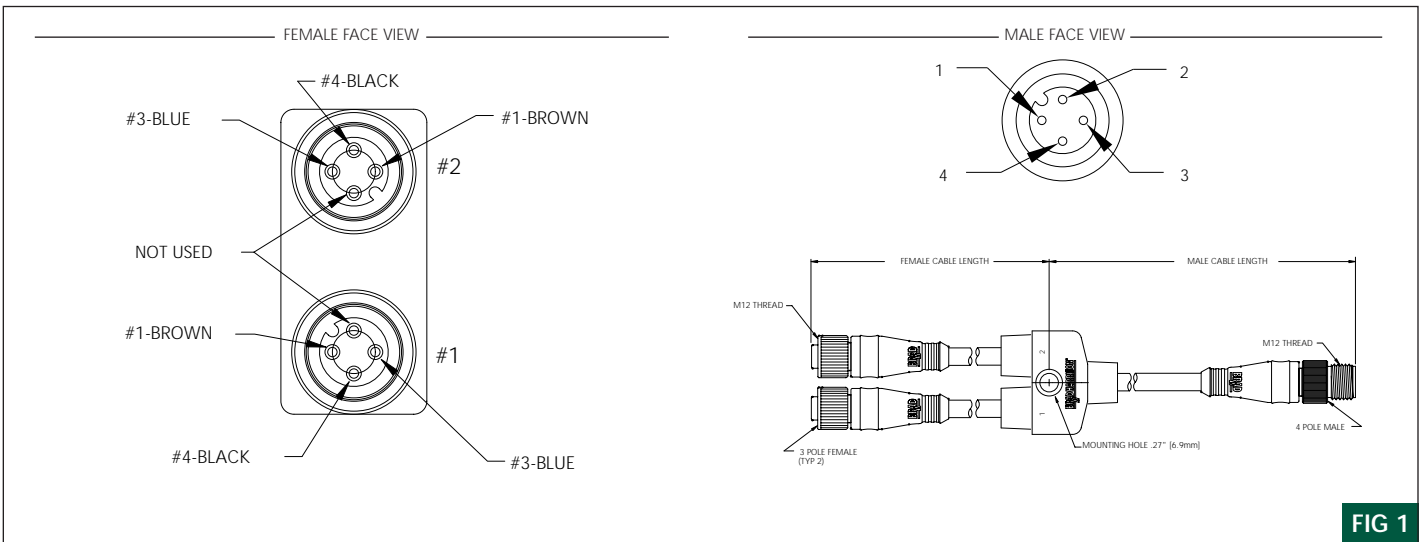


FIG 1

SCHEMATIC DETAILS

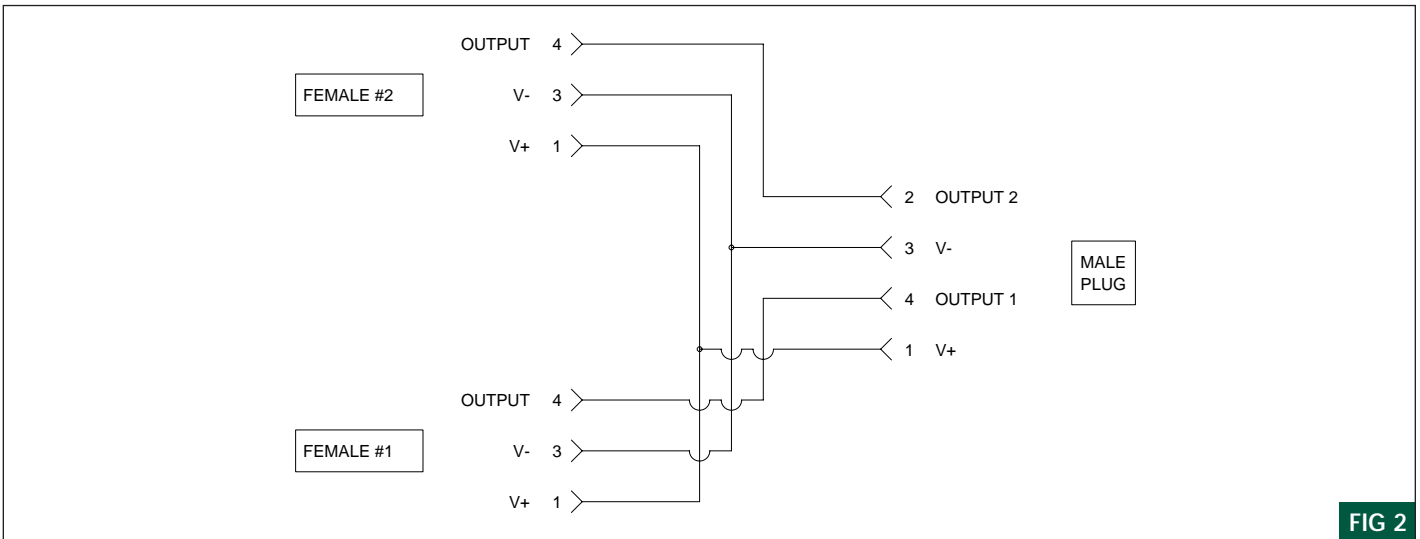


FIG 2