



In-Line Splitter

Dual Keyway 1/2" - 20 UNF

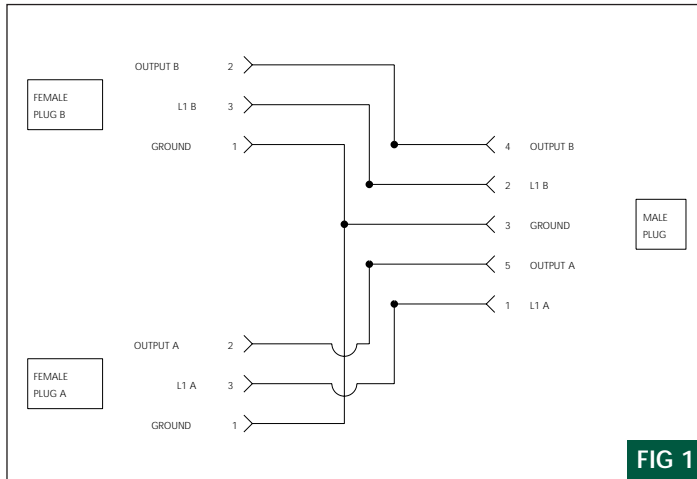
#18 AWG yellow thermoplastic (TPE) elastomer cable
 Combines two 3-wire AC devices into one 5P male receptacle
 Oil-, chemical- and weld slag-resistant TPE jacket

NEW	3P		5P		
FEMALE FACE VIEW			MALE FACE VIEW		
PIN SCHEMATIC	1- gnd 2- output A & B 3- L1A & L1B		PIN SCHEMATIC	1- L1A 2- L1B 3- gnd 4- output B 5- output A	
VOLTAGE	250V AC/DC				
CURRENT	4A				
CONDUCTOR	#18-3		5P Male Dual Keyway Connection		

FEMALE	FIG	SPLITTER CORDSET WITH (2) 3P FEMALE LEADS #18 AWG YELLOW TPE CABLE 1 FOOT LONG
STRAIGHT	2 AND 3	775A30K02F010
FEMALE	FIG	SPLITTER CORDSET WITH (2) FEMALE LEADS #18 AWG YELLOW TPE CABLE (1) 7" LONG OUTPUT A (1) 9"
STRAIGHT	1 AND 3	775B30K02A090

Specifications

SCHEMATIC DETAILS



MECHANICAL

CONNECTOR FACE: NYLON 6/6
 PLUG MOLDED BODY: PVC
 SPLITTER BODY: PVC
 O-RING: NITRILE RUBBER
 COUPLING NUT: ZINC DIECAST W/ BLACK EPOXY COAT
 CABLE: YELLOW #18 AWG THERMOPLASTIC ELASTOMER (TPE) JACKET AND PVC CONDUCTOR INSULATION OVER 4 X #34 COPPER STRANDING, 300V, UL STYLE 20327, CSA AWM I/II A/B

OUTSIDE DIAMETER: 3P - .26" (6.6mm)

ELECTRICAL

VOLTAGE RATING: 250V AC/DC
 AMPERAGE: 5P - 4A TOTAL

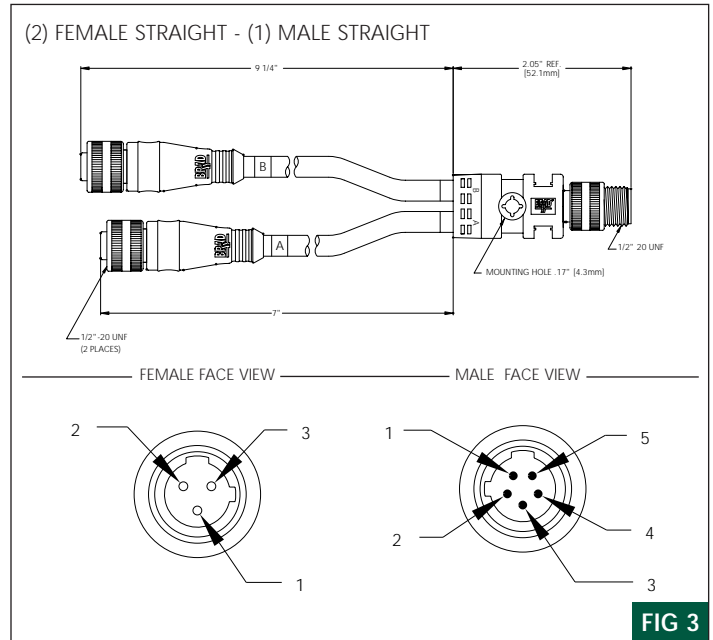
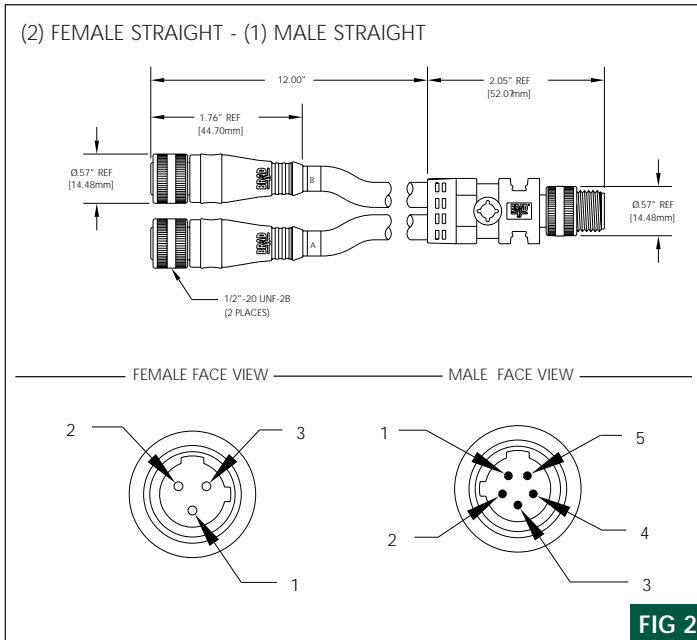
ENVIRONMENTAL

PROTECTION: IP 68, NEMA 6P
 AMBIENT OPERATING TEMP: -4° F TO 221° F (-20° TO 105° C)

CERTIFICATIONS

UL: UL LISTED, FILE NO. E152210

SPLITTER DIMENSIONS



CHEMICAL & OIL RESISTANCE CHART - TPE CABLE

ACIDS & BASES	PERFORMANCE	OILS & FUELS	PERFORMANCE
SULFURIC ACID 30%	EXCELLENT	ASTM OIL 1, 2, OR 3	EXCELLENT
NITRIC ACID 10%	EXCELLENT	TRIMSOL	EXCELLENT
SODIUM HYDROXIDE 10%	EXCELLENT	SIMEOL	EXCELLENT
AMMONIUM HYDROXIDE 10%	EXCELLENT	MOBIL OIL DTE 24 OR 26	EXCELLENT
HYDROCHLORIC ACID 20%	EXCELLENT	KEROSENE	EXCELLENT
GLACIAL ACIDIC ACID	GOOD	TRANSFORMER OIL	GOOD