

3P



Field-Attachable Connectors

Dual Keyway 1/2" - 20 UNF

Screw terminal connection accepts #18 AWG conductors maximum
 Easy field installation of quick-disconnect design
 For use with all standard dual keyway 1/2" - 20 UNF receptacles and cordsets

NEW	3P
FEMALE FACE VIEW	
MALE FACE VIEW	
VOLTAGE	250V AC/DC
CURRENT	4A

FEMALE	FIG	FIELD-ATTACHABLE CONNECTORS WITH PG 7 CABLE FITTING (.13 - .26" OD [3.3 - 6.6mm] CABLE)
STRAIGHT	1	7A3000-31
90°	2	7A3001-31
FEMALE	FIG	FIELD-ATTACHABLE CONNECTORS WITH PG 9 CABLE FITTING (.16 - .32" OD [4.1 - 8.1mm] CABLE)
STRAIGHT	1	7A3000-32
MATING RECEPTACLE*	3	7R3A06A19A120
MALE	FIG	FIELD-ATTACHABLE CONNECTORS WITH PG 7 CABLE FITTING (.13 - .26" OD [3.3 - 6.6mm] CABLE)
STRAIGHT	4	7A3006-31
90°	5	7A3007-31
MALE	FIG	FIELD-ATTACHABLE CONNECTORS WITH PG 9 CABLE FITTING (.16 - .32" OD [4.1 - 8.1mm] CABLE)
STRAIGHT	4	7A3006-32
MATING RECEPTACLE*	6	7R3A00A19A120

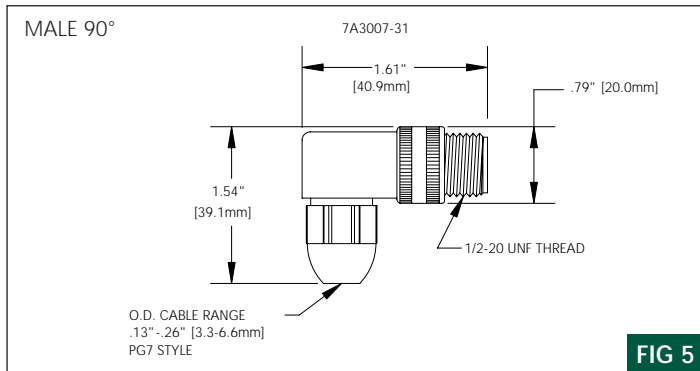
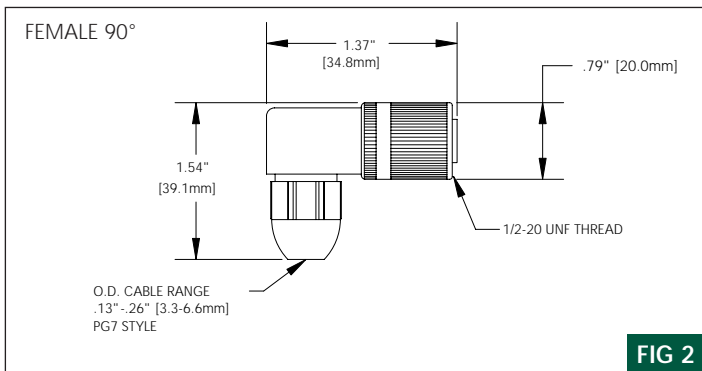
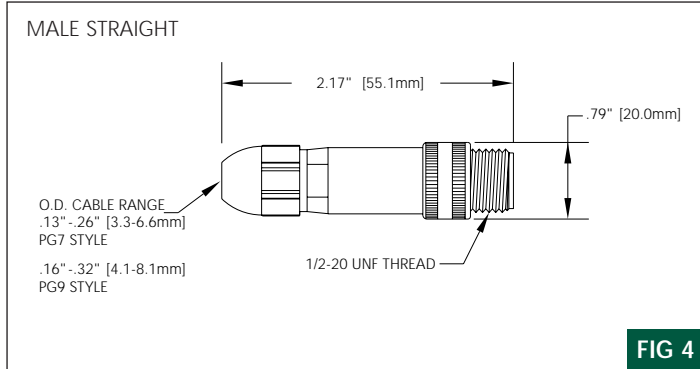
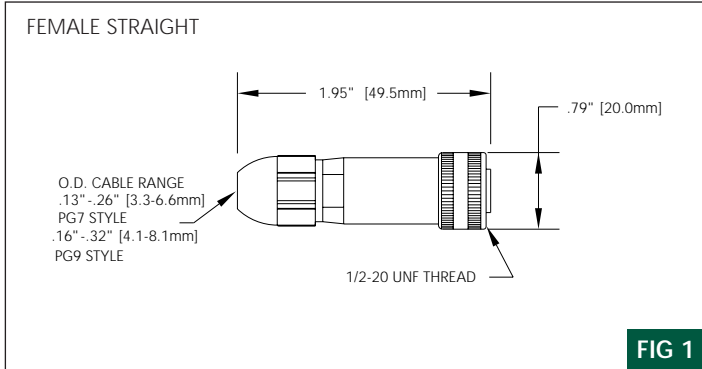
*See Page 134 for additional Mating Receptacles

Specifications



MECHANICAL	
CONNECTOR FACE:	NYLON 6/6
MOLDED BODY:	NYLON 6/6
CONTACT:	GOLD PLATED COPPER ALLOY
COUPLING NUT:	NICKEL PLATED BRASS
GROMMET:	NITRILE RUBBER
MAXIMUM CONDUCTOR SIZE:	18 AWG
ELECTRICAL	
VOLTAGE RATING:	250V AC/DC
AMPERAGE:	3P - 4A
ENVIRONMENTAL	
PROTECTION:	IP 68
AMBIENT OPERATING TEMP:	-40° TO 185° F (-40° TO 85°C)

CONNECTOR DIMENSIONS



RECEPTACLE DIMENSIONS

