



Single-Ended Cordsets

360° Shield Single Keyway M12

#22 AWG black PVC cable with braid shield and drain – DC color code
 Oil-resistant PVC jacket
 For use in high EMI and RFI environments

NEW	3P	4P	5P
FEMALE FACE VIEW			
COLOR CODE	1- brown 2- not used 3- blue 4- black 5- not used Coupling nut - drain	1- brown 2- white 3- blue 4- black 5- not used Coupling nut - drain	1- brown 2- white 3- blue 4- black 5- gray Coupling nut - drain
VOLTAGE	250V AC/DC	250V AC/DC	250V AC/DC
CURRENT	4A	4A	4A
CONDUCTOR	#22-3 + #22 Drain**	#22-4 + #22 Drain**	#22-5 + #22 Drain**

FEMALE	FIG	SINGLE - ENDED CORDSETS WITH #22 AWG PVC CABLE - WITH SHIELD 2 METERS LONG		
STRAIGHT	1	803S00D04M020	804S00D04M020	805S00D04M020
90°	2	803S01D04M020	804S01D04M020	805S01D04M020
MATING RECEPTACLE*	5	8R3006A18M0033	8R4006A18M0033	8R5006A18M0033
MALE	FIG	SINGLE - ENDED CORDSETS WITH #22 AWG PVC CABLE - WITH SHIELD 2 METERS LONG		
STRAIGHT	3	803S06D04M020	804S06D04M020	805S06D04M020
90°	4	803S07D04M020	804S07D04M020	805S07D04M020
MATING RECEPTACLE*	6	8R3A00A18M0033	8R4A00A18M0033	8R5A00A18M0033

CATALOG OPTIONS

*See Page 142 for additional Mating Receptacles
 ** Electrical continuity exists from coupling nut to drain conductor

Use the following chart to modify your part's specifications

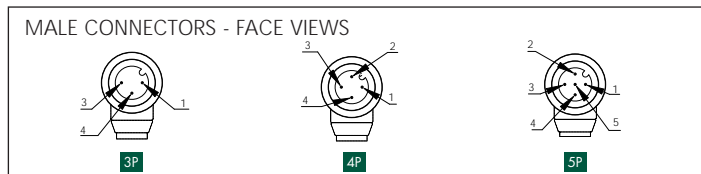
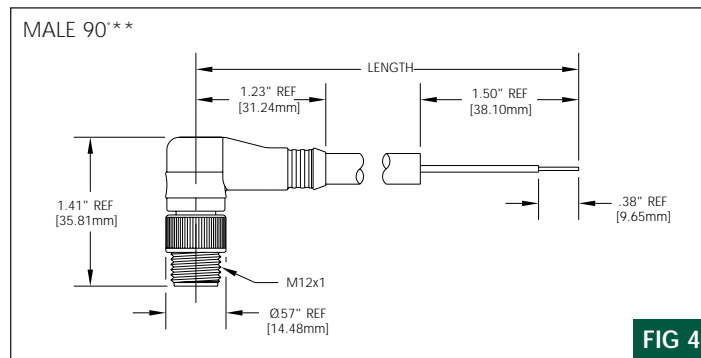
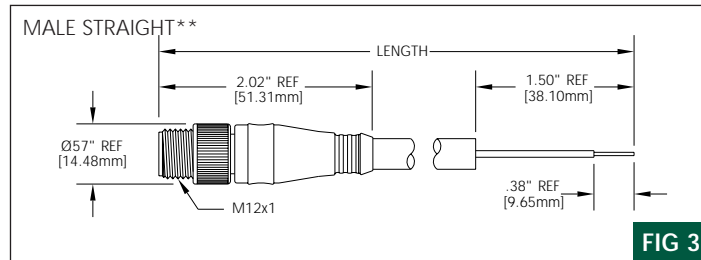
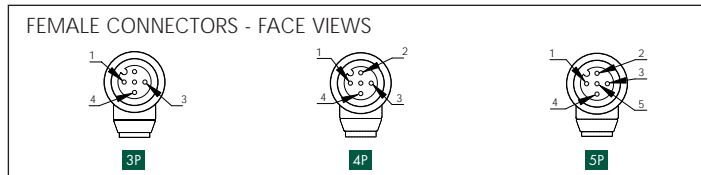
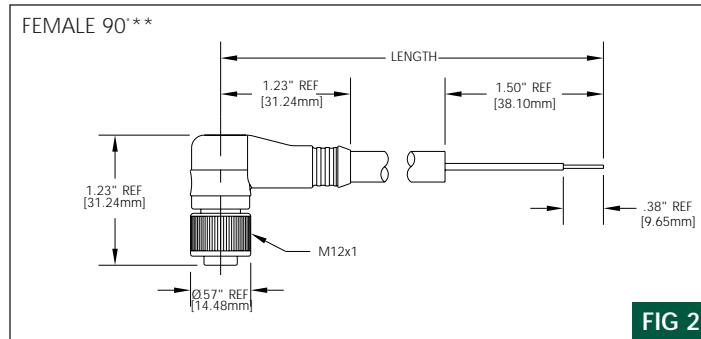
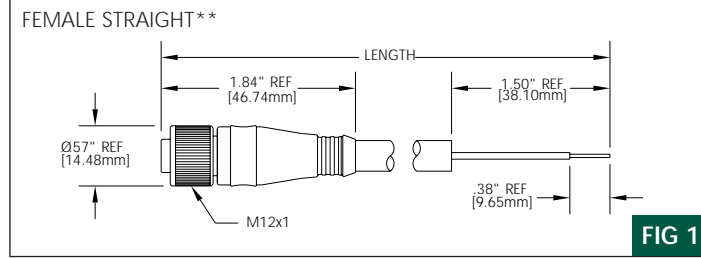
803S00D04M020

CABLE LENGTH

4 METER	040
5 METER	050

Specifications

CONNECTOR DIMENSIONS



MECHANICAL
 CONNECTOR FACE: POLYBUTYLENE TEREPHTHALATE (PBT)
 MOLDED BODY: PBT
 O-RING: NITRILE RUBBER
 COUPLING NUT: NICKEL PLATED BRASS
 CABLE: BLACK #22 AWG PVC JACKET 80% METALLIC BRAID SHIELD WITH DRAIN WIRE AND PVC CONDUCTOR INSULATION OVER 26 X #36 COPPER STRANDING, 300V, UL STYLE 2661, CSA AWM I/II A/B

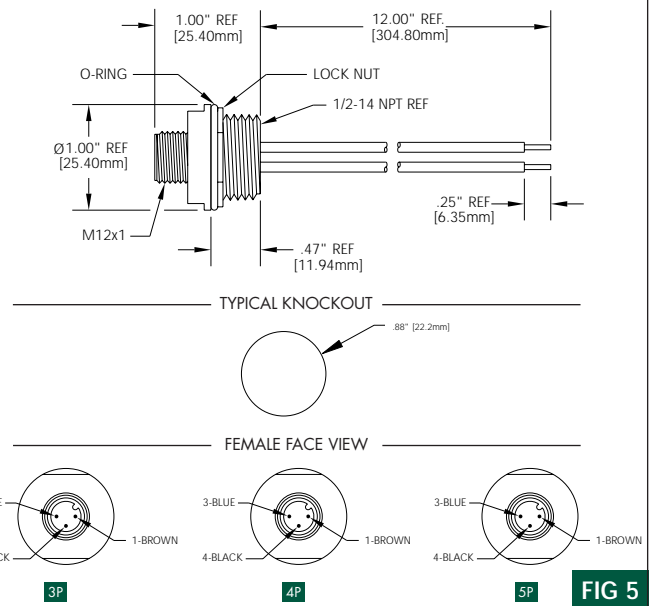
OUTSIDE DIAMETER:
 3P - .26" (6.6mm)
 4P - .28" (7.1mm)
 5P - .30" (7.6mm)

ELECTRICAL
 VOLTAGE RATING: 250V AC/DC
 AMPERAGE:
 3P - 4A
 4P - 4A
 5P - 4A

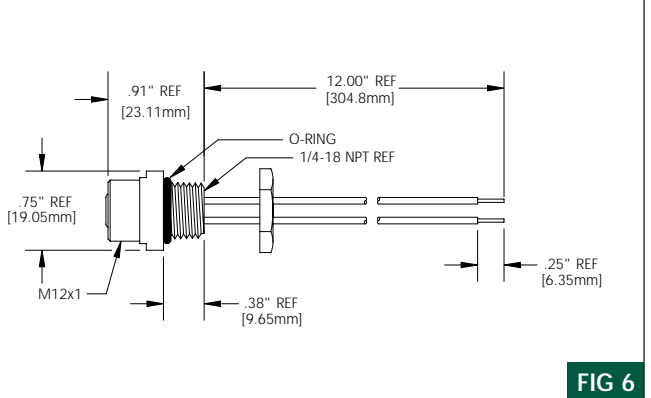
ENVIRONMENTAL
 SHIELD EFFECTIVENESS RATING: 70.4dB AVERAGE FROM 0-320 MHz
 PROTECTION: IP 68, NEMA 6P
 AMBIENT OPERATING TEMP: -4° TO 221° F (-20° TO 105° C)
CERTIFICATIONS
 CSA: CSA CERTIFIED, FILE NO LR6837

RECEPTACLE DIMENSIONS

MALE RECEPTACLE WITH EXTERNAL THREADS AND 1/2" - 14NPT THREADS



FEMALE RECEPTACLE WITH INTERNAL THREADS AND 1/4" - 18NPT THREADS



** Electrical continuity exists from coupling nut to drain conductor