

# Single-Ended Cordsets

Dual Keyway 1/2" - 20 UNF

**AUTOMOTIVE**

#22 AWG yellow PVC cable with metallic braid – auto color code  
 #18 AWG yellow PVC cable without metallic braid – auto color code  
 Low-resistance contact design with gold/palladium nickel plating

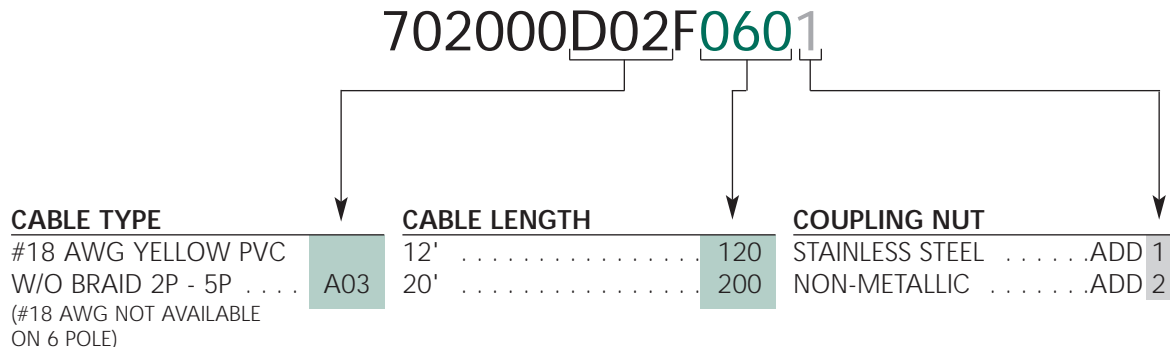
	2P	3P	4P	5P	6P
FEMALE FACE VIEW					
COLOR CODE	1- brown 2- blue	1- green - gnd 2- red - black trace 3- red - white trace	1- red - black trace 2- red - white trace 3- red 4- green - gnd	1- red - white trace 2- red 3- green - gnd 4- red - yellow trace 5- red - black trace	1- red - white trace 2- red 3- green - gnd 4- red - yellow trace 5- red - black trace 6- red - blue trace
VOLTAGE	250V AC/DC	250V AC/DC	250V AC/DC	250V AC/DC	250V AC/DC
CURRENT	4A	4A	4A	4A	4A
CONDUCTOR	#22-2	#22-3	#22-4	#22-5	#22-6

FEMALE	FIG	SINGLE - ENDED CORDSETS WITH #22 AWG PVC CABLE WITH BRAID 6 FEET LONG				
STRAIGHT	1	702000D02F060	703000D02F060	704000D02F060	705000D02F060	706000D02F060
90°	2	702001D02F060	703001D02F060	704001D02F060	705001D02F060	706001D02F060
MATING RECEPTACLE*	5	7R2006A19A120	7R3006A19A120	7R4006A19A120	7R5006A19A120	7R6006A19A120
MALE	FIG	SINGLE - ENDED CORDSETS WITH #22 AWG PVC CABLE WITH BRAID 6 FEET LONG				
STRAIGHT	3	702006D02F060	703006D02F060	704006D02F060	705006D02F060	706006D02F060
90°	4	702007D02F060	703007D02F060	704007D02F060	705007D02F060	706007D02F060
MATING RECEPTACLE*	6	7R2A00A19A120	7R3A00A19A120	7R4A00A19A120	7R5A00A19A120	7R6A00A19A120

## CATALOG OPTIONS

\*See Page 134 for additional Mating Receptacles

Use the following chart to modify your part's specifications



# Specifications

## CONNECTOR DIMENSIONS

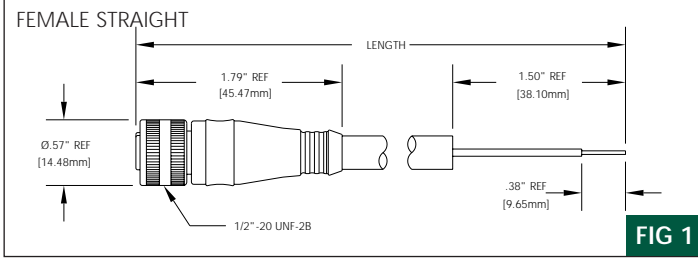


FIG 1

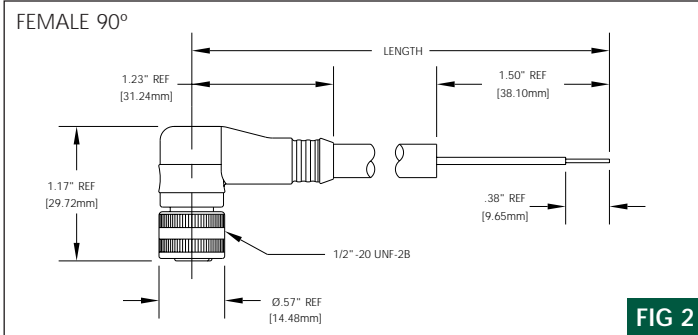


FIG 2

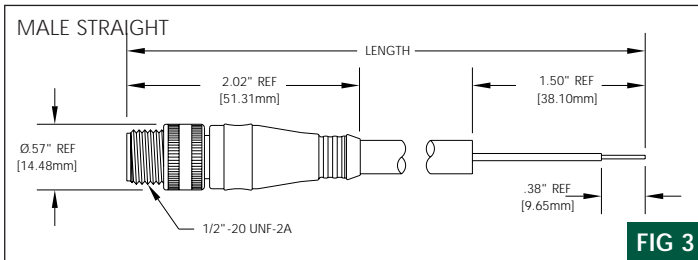
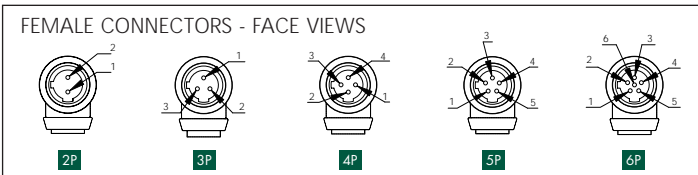


FIG 3

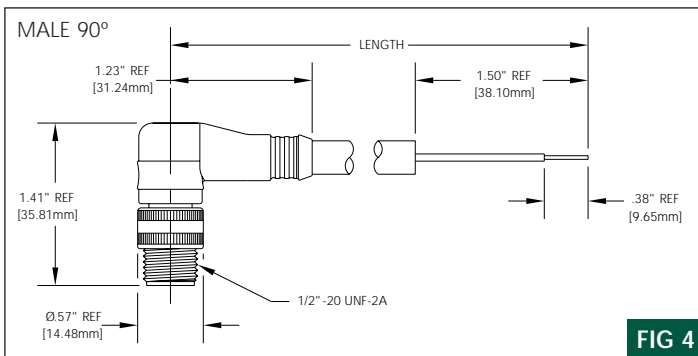
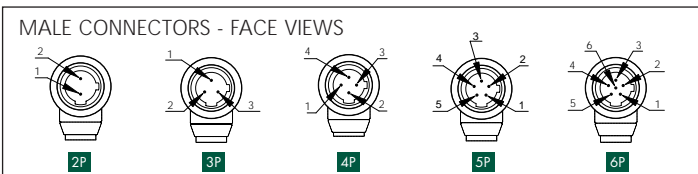


FIG 4



**MECHANICAL**  
 CONNECTOR FACE: NYLON 6/6  
 MOLDED BODY: PVC  
 O-RING: NITRILE RUBBER  
 COUPLING NUT: ZINC DIECAST W/ BLACK EPOXY COAT, OPTIONAL STAINLESS STEEL



CABLE: YELLOW #22 AWG PVC JACKET 70% METALLIC BRAID AND PVC CONDUCTOR INSULATION OVER 26 X #36 COPPER STRANDING, 300V, UL STYLE 2661, CSA AWM I/II A/B  
 YELLOW #18 AWG PVC JACKET AND PVC CONDUCTOR INSULATION OVER 41 X #34 COPPER STRANDING, 300V, UL STYLE 2661, CSA AWM I/II A/B

OUTSIDE DIAMETER:

#22 AWG	#18 AWG
WITH 70% BRAID	WITHOUT BRAID
2P - .23" (5.8mm)	2P - .29" (7.4mm)
3P - .23" (5.8mm)	3P - .29" (7.4mm)
4P - .25" (6.4mm)	4P - .29" (7.4mm)
5P - .26" (6.6mm)	5P - .29" (7.4mm)
6P - .29" (7.4mm)	

**ELECTRICAL**  
 VOLTAGE RATING: 250V AC/DC  
 AMPERAGE: 2P - 4A  
 3P - 4A  
 4P - 4A  
 5P - 4A  
 6P - 4A

**ENVIRONMENTAL**  
 PROTECTION: IP 68, NEMA 6P  
 AMBIENT OPERATING TEMP: -4° TO 221° F (-20° TO 105° C)

**CERTIFICATIONS**  
 UL: UL LISTED, FILE NO. E152210  
 CSA: CSA CERTIFIED, FILE NO LR6837

## RECEPTACLE DIMENSIONS

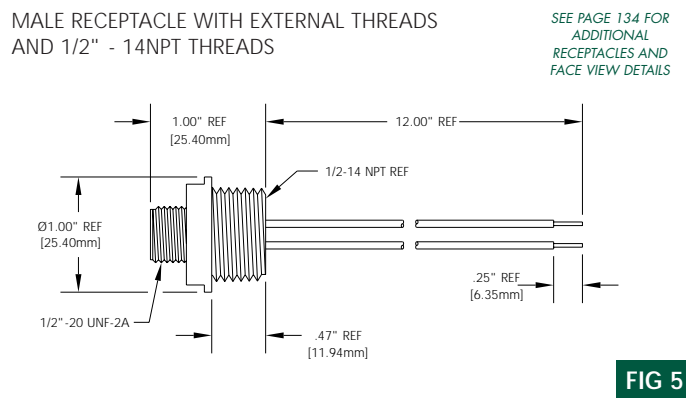


FIG 5

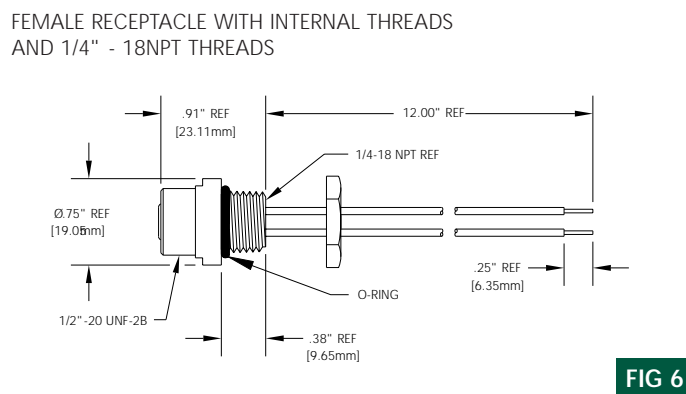


FIG 6