



Single-Ended Cordsets

Dual Keyway 1/2" - 20 UNF

AUTOMOTIVE

#18 AWG yellow PUR high-flex cable – auto color code
 Oil- and abrasion-resistant polyurethane jacket
 Low-resistance contact design with gold/palladium nickel plating

	2P	3P	4P	5P
FEMALE FACE VIEW				
COLOR CODE	1- brown 2- blue	1- green - gnd 2- red/black 3- red/white	1- red/black 2- red/white 3- red 4- green - gnd	1- red/white 2- red 3- green - gnd 4- red/yellow 5- red/black
VOLTAGE	250V AC/DC	250V AC/DC	250V AC/DC	250V AC/DC
CURRENT	4A	4A	4A	4A
CONDUCTOR	#18-2	#18-3	#18-4	#18-5

FEMALE	FIG	SINGLE-ENDED CORDSETS WITH #18 AWG HIGH FLEX PUR CABLE 6 FEET LONG			
STRAIGHT	1	702000B01F060	703000B01F060	704000B01F060	705000B01F060
90°	2	702001B01F060	703001B01F060	704001B01F060	705001B01F060
MATING RECEPTACLE*	5	7R2006A19A120	7R3006A19A120	7R4006A19A120	7R5006A19A120
MALE W/ EXTERNAL THREADS	FIG	SINGLE-ENDED CORDSETS WITH #18 AWG HIGH FLEX PUR CABLE 6 FEET LONG			
STRAIGHT	3	702006B01F060	703006B01F060	704006B01F060	705006B01F060
90°	4	702007B01F060	703007B01F060	704007B01F060	705007B01F060
MATING RECEPTACLE*	6	7R2A00A19A120	7R3A00A19A120	7R4A00A19A120	7R5A00A19A120

CATALOG OPTIONS

*See Page 134 for additional Mating Receptacles

Use the following chart to modify your part's specifications

702000B01F0601

CABLE LENGTH

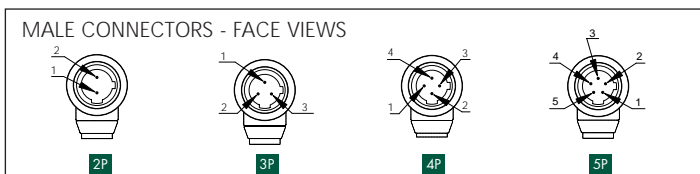
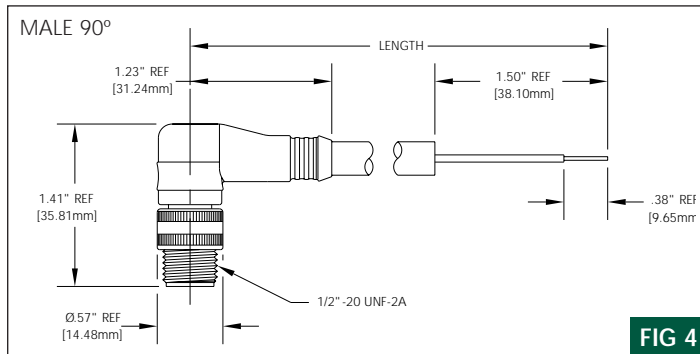
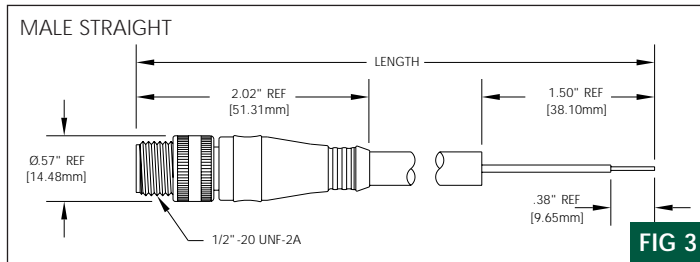
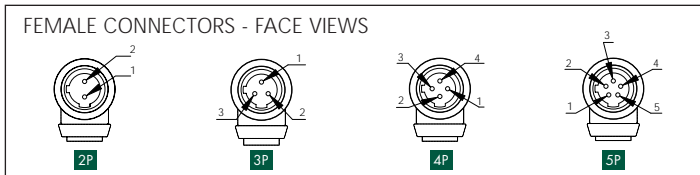
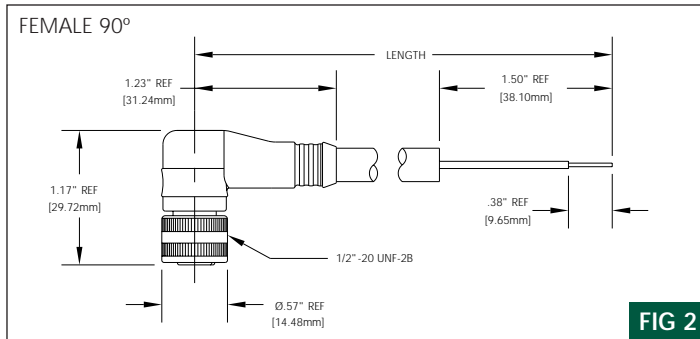
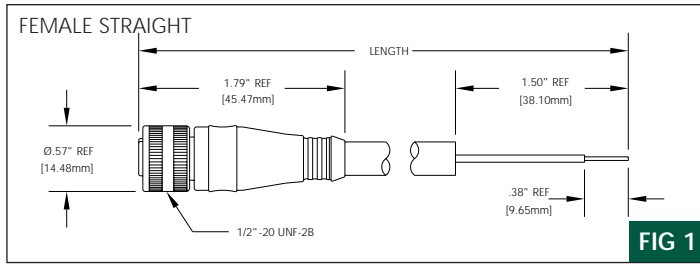
12'	120
20'	200

COUPLING NUT

STAINLESS STEELADD 1

Specifications

CONNECTOR DIMENSIONS



- MECHANICAL**
 CONNECTOR FACE: NYLON 6/6
 MOLDED BODY: POLYURETHANE
 O-RING: VITON
 COUPLING NUT: ZINC DIECAST W/ BLACK EPOXY COAT, OPTIONAL STAINLESS STEEL TYPE 303
- CABLE:** YELLOW #18 AWG POLYURETHANE JACKET AND PVC CONDUCTOR INSULATION OVER 65 X #36 COPPER STRANDING, 300V, UL STYLE 20549, CSA AWM I/II A/B
- OUTSIDE DIAMETER:**
 2P - .24" (6.1mm)
 3P - .27" (6.9mm)
 4P - .29" (7.4mm)
 5P - .32" (8.1mm)
- ELECTRICAL**
 VOLTAGE RATING: 250V AC/DC
 AMPERAGE: 2P - 4A
 3P - 4A
 4P - 4A
 5P - 4A
- ENVIRONMENTAL**
 PROTECTION: IP 68, NEMA 6P
 AMBIENT OPERATING TEMP: -4° TO 176° F (-20° TO 80° C)
- CERTIFICATIONS**
 UL: UL LISTED, FILE NO. E152210
 CSA: CSA CERTIFIED, FILE NO LR6837

RECEPTACLE DIMENSIONS

MALE RECEPTACLE WITH EXTERNAL THREADS AND 1/2" - 14NPT THREADS

SEE PAGE 134 FOR ADDITIONAL RECEPTACLES AND FACE VIEW DETAILS

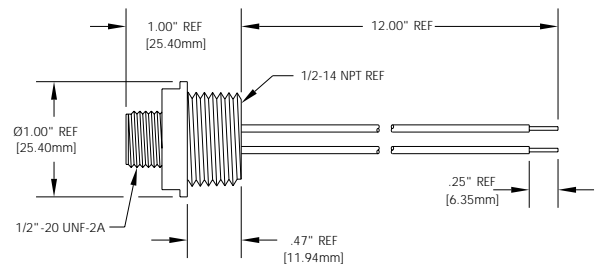


FIG 5

FEMALE RECEPTACLE WITH INTERNAL THREADS AND 1/4" - 18NPT THREADS

SEE PAGE 134 FOR ADDITIONAL RECEPTACLES AND FACE VIEW DETAILS

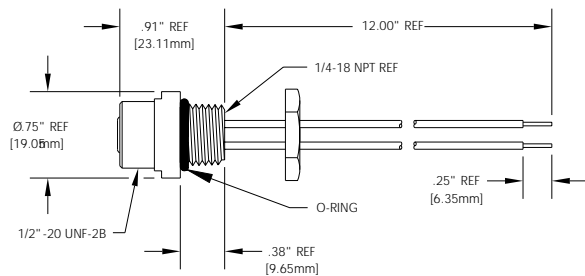


FIG 6