



Single-Ended Cordsets

#16 AWG yellow ST00W cable – U.S. color code

Oil-resistant PVC jacket

Low-resistance contact design with gold/palladium nickel plating

| | 6P | 7P | 8P |
|------------------|--|--|--|
| FEMALE FACE VIEW | | | |
| COLOR CODE | 1- orange 2- blue 3- black 4- white 5- red 6- green-gnd | 1- white-black trace 2- black 3- white 4- red 5- orange 6- blue 7- green-gnd | 1- orange 2- blue 3- white-black trace 4- black 5- white 6- red 7- green-gnd 8- red-black trace |
| VOLTAGE | 600V AC/DC | 600V AC/DC | 600V AC/DC |
| CURRENT | 8A | 8A | 7A |
| CONDUCTOR | #16-6 | #16-7 | #16-8 |

| FEMALE | FIG | SINGLE-ENDED CORDSETS WITH #16 AWG ST00W CABLE 3 FEET LONG | | |
|--------------------|-----|--|---------------|---------------|
| STRAIGHT | 1 | 206000A01F030 | 207000A01F030 | 208000A01F030 |
| 90° | 2 | 206001A01F030 | 207001A01F030 | 208001A01F030 |
| MATING RECEPTACLE* | 5 | 2R6006A20A120 | 2R7006A20A120 | 2R8006A20A120 |
| MALE | FIG | SINGLE-ENDED CORDSETS WITH #16 AWG ST00W CABLE 3 FEET LONG | | |
| STRAIGHT | 3 | 206002A01F030 | 207002A01F030 | 208002A01F030 |
| 90° | 4 | 206003A01F030 | 207003A01F030 | 208003A01F030 |
| MATING RECEPTACLE* | 5 | 2R6004A20A120 | 2R7004A20A120 | 2R8004A20A120 |

CATALOG OPTIONS

*See Page 76 for additional Mating Receptacles

Use the following chart to modify your part's specifications

206000A01F0301

CABLE LENGTH

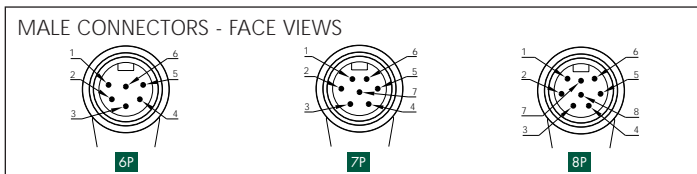
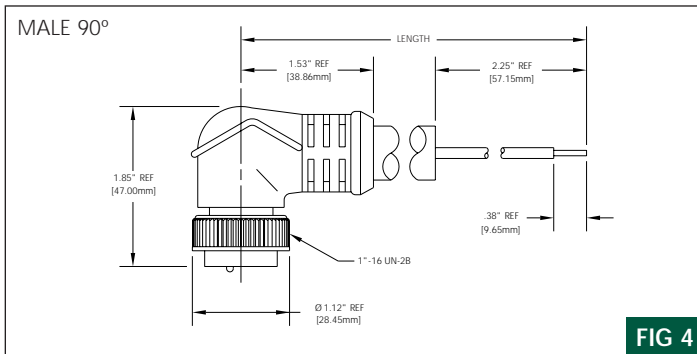
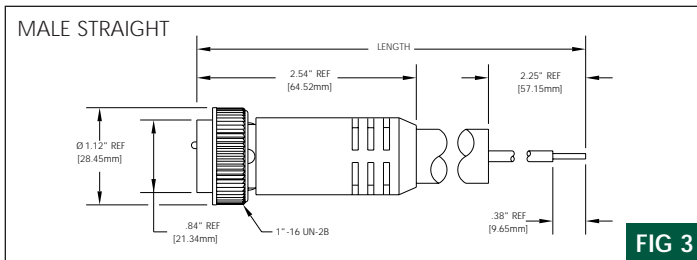
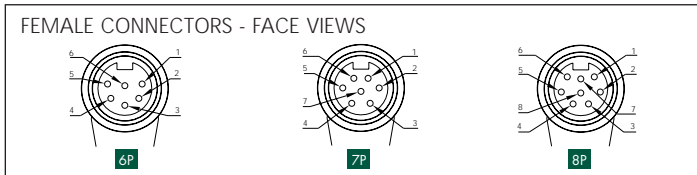
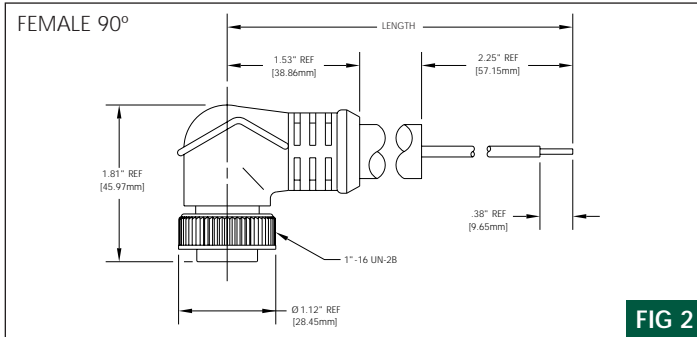
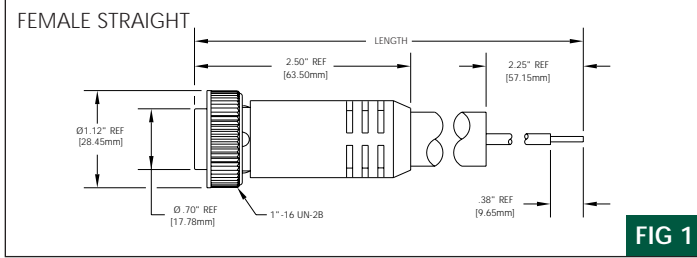
| | |
|-----------|-----|
| 6' | 060 |
| 12' | 120 |
| 20' | 200 |

COUPLING NUT

STAINLESS STEEL ADD 1

Specifications

CONNECTOR DIMENSIONS



MECHANICAL
 CONNECTOR FACE:
 MOLDED BODY:
 COUPLING NUT:

PVC - UL STD 94 - V0
 PVC - UL STD 94 - V0
 ZINC DIECAST W/ BLACK EPOXY
 COAT, OPTIONAL STAINLESS STEEL
 TYPE 303

CABLE: YELLOW, #16 AWG, PVC JACKET & PVC CONDUCTOR INSULATION OVER 65 X #34 COPPER STRANDING, 600V, UL ST00W CSA ST
OUTSIDE DIAMETER:
 6P - .54" (13.7mm)
 7P - .54" (13.7mm)
 8P - .61" (15.5mm)

ELECTRICAL
 VOLTAGE RATING:
 AMPERAGE:

600 V AC/DC
 6P - 8A
 7P - 8A
 8P - 7A

ENVIRONMENTAL
 PROTECTION:
 AMBIENT OPERATING TEMP:

IP 68, NEMA 6P
 -4° to 221° F (-20° to 105° C)

CERTIFICATIONS

UL: UL RECOGNIZED, File No. E46237
 CSA: CSA CERTIFIED, File No. LR6837

RECEPTACLE DIMENSIONS

