



# Single-Ended Cordsets

#18 AWG yellow AWM 2661 cable – auto color code  
 Oil-resistant PVC jacket  
 Low-resistance contact design with gold/palladium nickel plating

<b>NEW</b>	<b>3P</b>	<b>4P</b>	<b>5P</b>
FEMALE FACE VIEW			
COLOR CODE	1- green-gnd 2- red w/ black trace 3- red w/ white trace	1- red w/ black trace 3- red 2- red w/ white trace 4- green-gnd	1- red w/ white trace 4- red w/ yellow trace 2- red 5- red w/ black trace 3- green-gnd
VOLTAGE	300V AC/DC	300V AC/DC	300V AC/DC
CURRENT	10A	7A	5.6A
CONDUCTOR	#18-3	#18-4	#18-5

FEMALE	FIG	SINGLE-ENDED CORDSETS WITH #18 AWG PVC CABLE 3 FEET LONG		
STRAIGHT	1	103000A03F030	104000A03F030	105000A03F030
90°	2	103001A03F030	104001A03F030	105001A03F030
MATING RECEPTACLE*	5	1R3006A17A120	1R4006A17A120	1R5006A17A120
MALE	FIG	SINGLE-ENDED CORDSETS WITH #18 AWG PVC CABLE 3 FEET LONG		
STRAIGHT	3	103002A03F030	104002A03F030	105002A03F030
90°	4	103003A03F030	104003A03F030	105003A03F030
MATING RECEPTACLE*	5	1R3004A17A120	1R4004A17A120	1R5004A17A120

## CATALOG OPTIONS

\*See Page 58 for additional Mating Receptacles

Use the following chart to modify your part's specifications

103000A03F0301

**CABLE LENGTH**

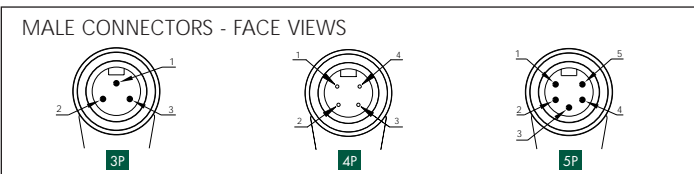
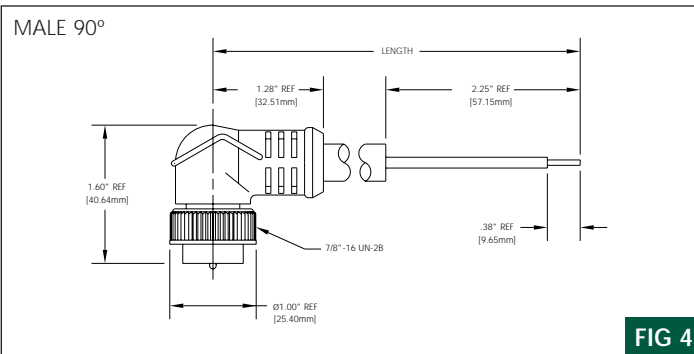
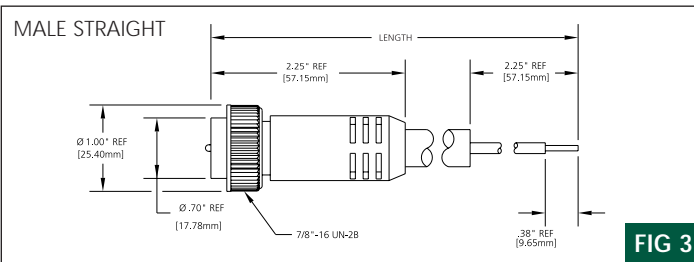
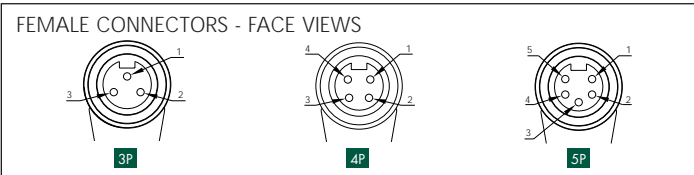
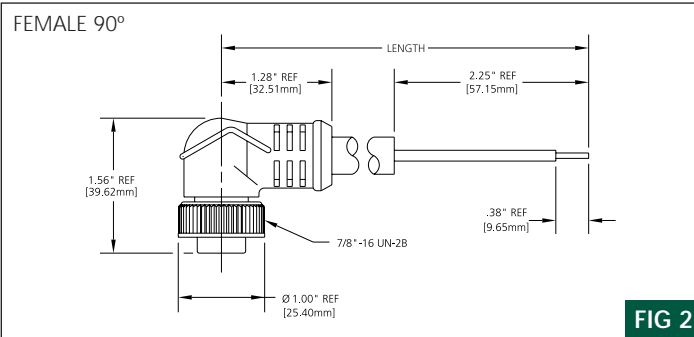
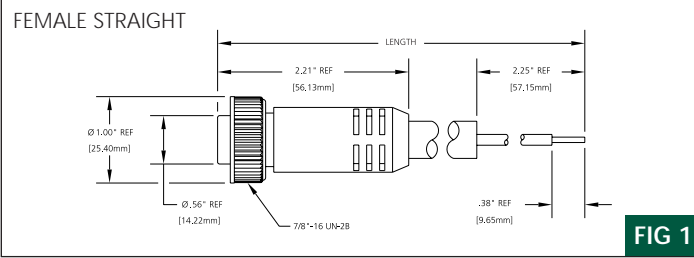
6'	060
12'	120
20'	200

**COUPLING NUT**

STAINLESS STEEL	ADD 1
NON-METALLIC	ADD 2

# Specifications

## CONNECTOR DIMENSIONS



**MECHANICAL**  
 CONNECTOR FACE: PVC - UL STD 94 - V0  
 MOLDED BODY: PVC - UL STD 94 - V0  
 COUPLING NUT: ZINC DIECAST W/ BLACK EPOXY

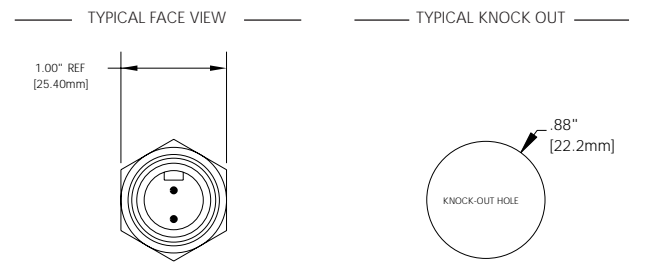
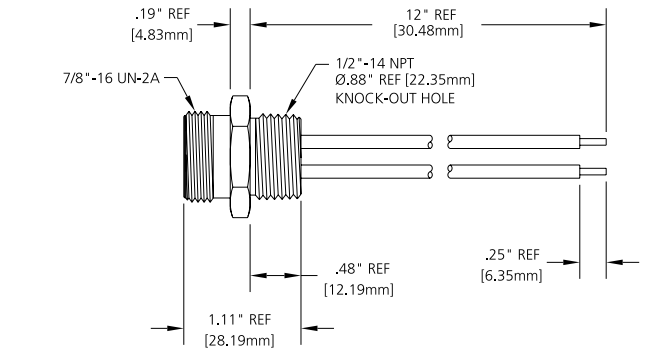
COAT, OPTIONAL STAINLESS STEEL NYLON 6/6  
 CABLE: YELLOW, #18 AWG, PVC JACKET & PVC CONDUCTOR INSULATION OVER 41 X #34 COPPER STRANDING, 300V, UL STYLE 2661 CSA AWM I/II A/B  
 OUTSIDE DIAMETER: 3P - .28" (7.1mm)  
 4P - .28" (7.1mm)  
 5P - .28" (7.1mm)

**ELECTRICAL**  
 VOLTAGE RATING: 300 V AC/DC  
 AMPERAGE: 3P - 10A  
 4P - 7A  
 5P - 5.6A

**ENVIRONMENTAL**  
 PROTECTION: IP 68, NEMA 6P  
 AMBIENT OPERATING TEMP: -4° TO 221° F (-20° TO 105° C)  
**CERTIFICATIONS**  
 UL: UL RECOGNIZED, FILE NO.E46237  
 CSA: CSA CERTIFIED, FILE NO.LR6837

## RECEPTACLE DIMENSIONS

MALE STRAIGHT WITH 1/2" - 14NPT THREADS  
 FEMALE STRAIGHT WITH 1/2" - 14NPT THREADS  
 SEE PAGE 58 FOR ADDITIONAL RECEPTACLES



**FIG 5**

